

---

# BuzziDesk FlipFlop Product Specification Sheet

---

This document contains technical information about the BuzziDesk Flip Flop

---



[www.buzzi.space](http://www.buzzi.space)






## Free standing desk divider screen

These movable and foldable acoustic screens have been designed in order to instantly define a quieter and more personal space on any desktop. They can be conveniently stored against a wall in a flat manner since their side flaps are fully movable. They can be used in a more or less closed manner depending on how protected one wants to be, but can also be set in a zig-zag manner on a table top. They were originally designed to be used on the multifunctional BuzziPicNic table (with two small extra slides that fit perfectly in its central opening), but they can be used on any table top to define a specific area when needed.

Design by Alain Gilles

---

## General

-  Desk FlipFlop
- Core: honeycomb cardboard
-  Profile: metal
- Cover: Fabric, Trevira CS+ | CS, Revive 1, Clara 2, Remix 3, Hero, Tonus 4, Memory 2
-  Min. W 117,5 cm    H 35 cm    D 3,5 cm  
W 46.26"    H 13.78"    D 1.38"
- Max. W 250 cm    H 50 cm    D 3,5 cm  
W 98.43"    H 19.69"    D 1.38"
-  Dry Use
-  Flat Packed
- ... Sliders for BuzziPicNic Desk, Meet, WorkBench  
FixWall (optional)

---

## Certifications



---

## Acoustics



Absorption



Diffusion



Attenuation



Mid tone



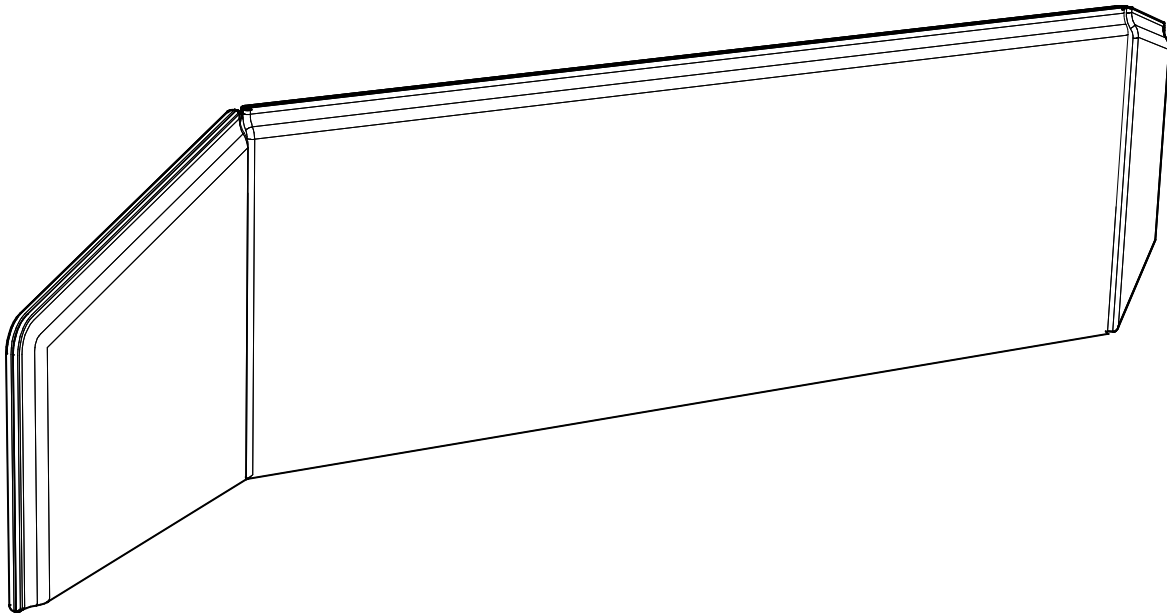
High tone

---

## Content

Configurations	3	Dimensions	8
Components	4	Acoustics	10
Fabrics	5		

# Configuration



🌲 Core: honeycomb cardboard  
 Profile: metal  
 Cover: Fabric, Trevira CS+ | CS, Revive 1, Clara 2, Remix 3, Hero, Tonus 4, Memory 2

✂️ Min. W 117,5 cm    H 35 cm    D 3,5 cm  
                   W 46.26"    H 13.78"    D 1.38"  
 Max. W 250 cm    H 50 cm    D 3,5 cm  
                   W 98.43"    H 19.69"    D 1.38"

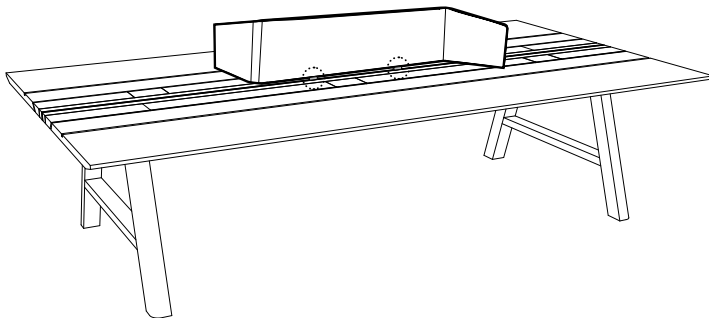
Length	Side panel:	Side panel:	Side panel:	Side panel:
	37.5 cm   14.76"	50 cm   19.69"	37.5 cm   14.76"	50 cm   19.69"
	Height panel:	Height panel:	Height panel:	Height panel:
	35 cm   13.78"	35 cm   13.78"	50 cm   19.69"	50 cm   19.69"
80 cm   31.50"	3.2 kg   7.05 lbs	3.4 kg   7.50 lbs	4 kg   8.82 lbs	4.5 kg   9.92 lbs
100 cm   39.37"	3.5 kg   7.72 lbs	3.7 kg   8.16 lbs	4.6 kg   10.14 lbs	5.1 kg   11.24 lbs
120 cm   47.24"	3.9 kg   8.60 lbs	4.1 kg   9.04 lbs	5.1 kg   11.24 lbs	5.5 kg   12.13 lbs
140 cm   55.12"	4.2 kg   9.26 lbs	4.5 kg   9.92 lbs	5.6 kg   12.35 lbs	6 kg   13.23 lbs
160 cm   62.99"	4.8 kg   10.58 lbs	5 kg   11.00 lbs	6.1 kg   13.45 lbs	6.6 kg   14.55 lbs
180 cm   70.87"	5.1 kg   11.24 lbs	5.4 kg   11.90 lbs	6.7 kg   14.77 lbs	7 kg   15.43 lbs
200 cm   78.74"	5.6 kg   12.35 lbs	5.8 kg   12.78 lbs	7.3 kg   16.09 lbs	7.6 kg   16.76 lbs

⋮ Sliders for BuzziPicNic Desk, Meet, Workbench  
 FixWall (optional)

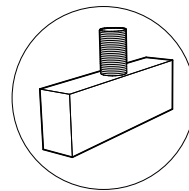
# Components

---

## Slider

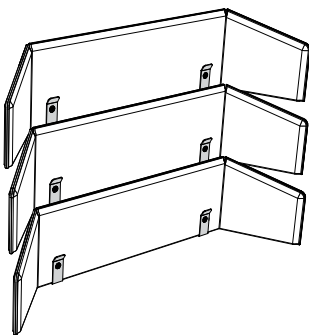


Combine BuzziDesk FlipFlop with BuzziPicNic Desk, Meet, WorkBench: screw the 2 sliders into the BuzziDeskFlipFlop and put them into the BuzziPicNic-ridge.  
(2 pieces)

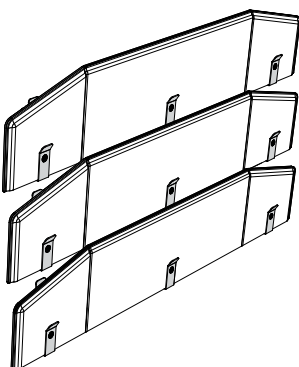
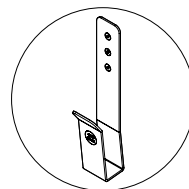


---

## FixWall (optional)



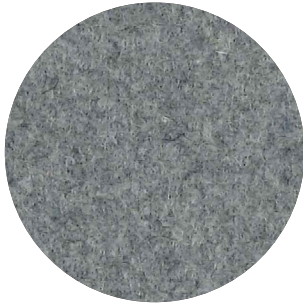
Store all your BuzziDesk FlipFlops convenient on the wall with the BuzziFix FlipFlop. (min. 2 pieces required)  
Powder coated metal in Black ( 9005) Alu (9006) or White (9010)





# Fabrics

## Fabric



**Category A**

**Composition** 70% Recycled Wool, 25% Recycled Polyacryl,  
5% Recycled Other Fabrics

**Weight** 405 g/m<sup>2</sup> | 11.94 oz/yd<sup>2</sup>

**Abrasion resistance** 40.000 Martindale, 50,000 Wyzenbeek

**Flammability** EU: EN 1021.1/2006 | BS EN 1021.1/2006 (cigarette).  
EN 1021.2/2006 | BS EN 1021.2/2006 (match)  
USA: CAL TB 117 | ASTM E84 CLASS A

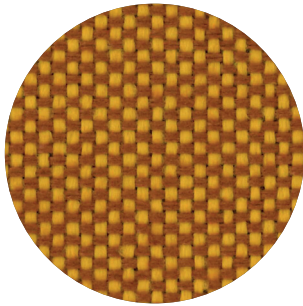
**Fastness to light** EU: 4 | USA 4

**Fastness to rubbing** EU: Wet 3-4 | Dry 4-5

**Fastness to crocking** USA: Wet 5 | Dry 5



## Trevira CS+ | CS



**Category A**

**Weight** 420 g/m<sup>2</sup> | 12.39 oz/yd<sup>2</sup>

**Composition** 100% Polyester, Trevira CS

**Abrasion resistance** 100.000 Martindale, 90,000 Wyzenbeek

**Flammability** BS 5852 part II: CRIB 5 | BS 7176 Medium Hazard  
USA: CAL TB 117 | M1 | B1 | EN 1021/1-2 | C1 |  
IMO Res. A652 (16)

**Fastness to light** EU: 6 | USA 5

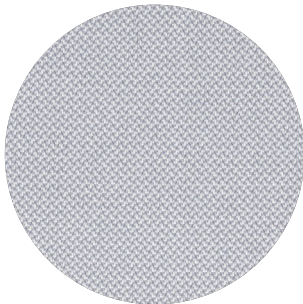
**Fastness to rubbing** EU: Wet 4-5 | Dry 4-5

**Fastness to crocking** USA: Wet 5 | Dry 5



## Revive 1

kvadrat



**Category A**

**Composition** 100% recycled polyester FR

**Weight** 430 g/lin.m

**Abrasion resistance** 60.000 Martindale rubs, EN ISO 12947

**Flammability** EN 1021-1/2 | DIN 4102 B1 | Önorm B1/Q1  
UNI 9175 1IM | US Cal. Tech. Bull. 117  
IMO A.652 (16)

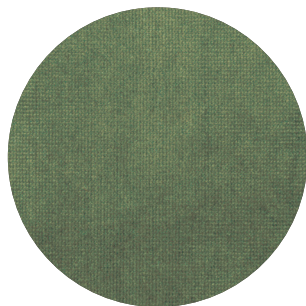
**Fastness to light** Note 5-7, ISO 105-B02

**Fastness to rubbing** (ISO) dry 5, wet 4-5

**Pilling** Note 4-5, EN ISO 12945



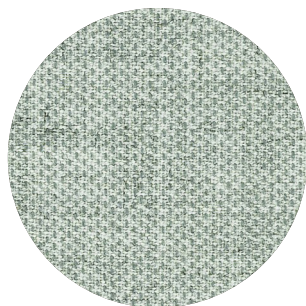
## Velvet



**Category** B  
**Composition** 100% PES  
**Weight** 375 g/m<sup>2</sup> | 11.06 oz/yd<sup>2</sup>  
**Abrasion resistance** > 100.000 Martindale  
**Fastness to light** EU: 4-5  
**Fastness to rubbing** EU: Wet 4 | Dry 4-5  
**Pilling** EU: 4-5

## Clara 2

kvadrat



**Category** B  
**Composition** 92% new wool, 8% nylon  
**Weight** 400 g/lin.m  
**Abrasion resistance** 80.000 Martindale rubs, EN ISO 12947  
**Flammability** EN 1021-1/2 | BS 5852, ignition source 2-3 | DIN 4102 B2  
NF D 60 013 | UNI 9175 1IM | US Cal. Tech. Bull. 117, Sec. E  
NFPA 260 | IMO A.652(16)  
**Fastness to light** Note 5-7, ISO 105-B02  
**Fastness to rubbing** (ISO) dry 4-5, wet 4  
**Pilling** Note 4, EN ISO 12945



## Remix 3

kvadrat

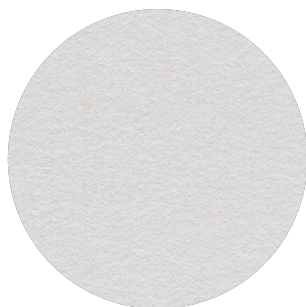


**Category** B  
**Composition** 90% new wool, 10% nylon  
**Weight** 415 g/lin.m  
**Abrasion resistance** 100.000 Martindale rubs, EN ISO 12947  
**Flammability** EN 1021-1/2 | BS 5852 part 1  
Önorm B1/Q1 | NF D 60 013 | UNI 9175, 1IM  
AS/NZS 1530.3 | Cal. Tech. Bull. 117-2013  
NFPA 260 | IMO FTP Code 2010:Part 8  
**Fastness to light** Note 5-7, ISO 105-B02  
**Fastness to rubbing** (ISO) dry 4-5, wet 4  
**Pilling** Note 4, EN ISO 12945



## Hero

kvadrat



**Category** C  
**Composition** 96% new wool, 4% nylon  
**Weight** 580 g/lin.m  
**Abrasion resistance** 45.000 Martindale rubs, EN ISO 12947  
**Flammability** EN 1021-1/2 | DIN 4102 B2 | NF D 60 013  
UNI 9175 1IM | US Cal. Bull. 117-2013 | NFPA 260  
IMO A.652 (16)  
**Fastness to light** Note 5-6, ISO 105-B02  
**Fastness to rubbing** (ISO) dry 4-5, wet 4-5  
**Pilling** Note 3-4, EN ISO 12945



## Tonus 4

kvadrat



**Category** D

**Composition** 90% new wool, 10% Helanca

**Weight** 665 g/lin.m

**Abrasion resistance** 100.000 Martindale rubs, EN ISO 12947

**Flammability** EN 1021-1/2 | BS 5852 part 1 | DIN 4102 B2

Önorm B1/Q1 | NF D 60 013 | UNI 9175 11M

US Cal. Bull. 117-2013 | NFPA 260 | IMO A.652 (16)

**Fastness to light** Note 5-7, ISO 105-B02

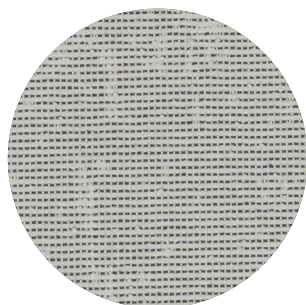
**Fastness to rubbing** (ISO) dry 3-5, wet 3-5

**Pilling** Note 3, EN ISO 12945



## Memory 2

kvadrat



**Category** E

**Composition** 100% Trevira CS

**Weight** 700 g/lin.m

**Abrasion resistance**

35.000 rubs acc. to the Martindale method, EN ISO 12947

**Flammability** EN 1021-1/2 | DIN 4102 B1 | Önorm B1/Q1

NF D 60 013 | NF P 92 507 M1 | UNI 9175 11M

UNI 9177 classe 1 | US Cal. Tech. Bull. 117

IMO A.652 (16)

**Fastness to light** Note 5-8, ISO 105-B02

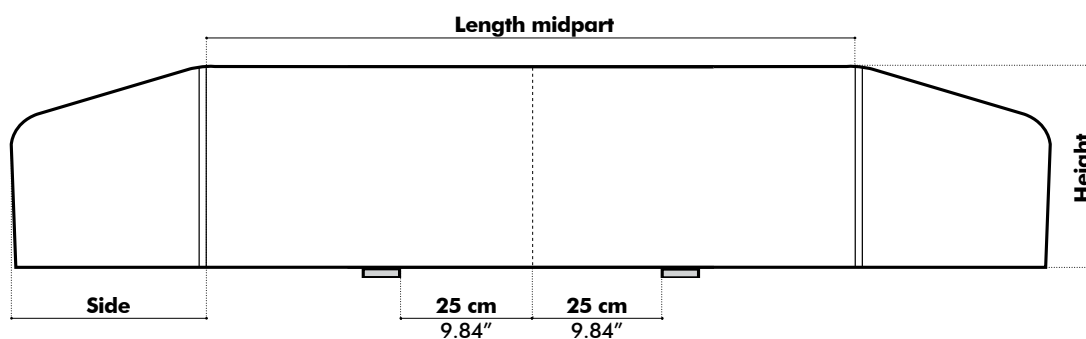
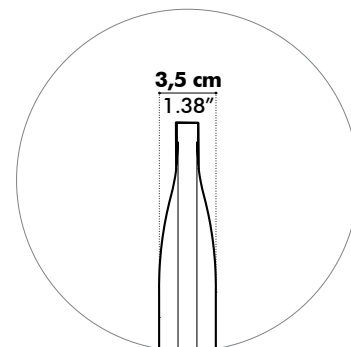
**Fastness to rubbing** (ISO) dry 4-5, wet 4-5

**Pilling** Note 4, EN ISO 12945



# Dimensions

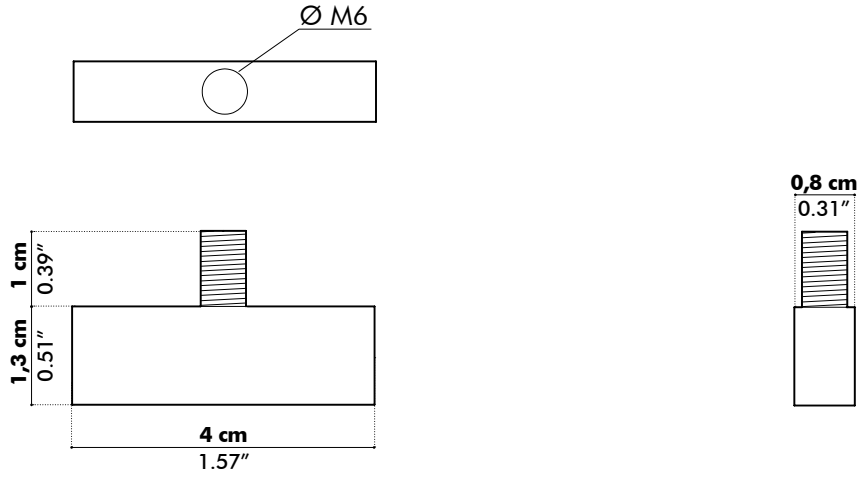
## Desk FlipFlop



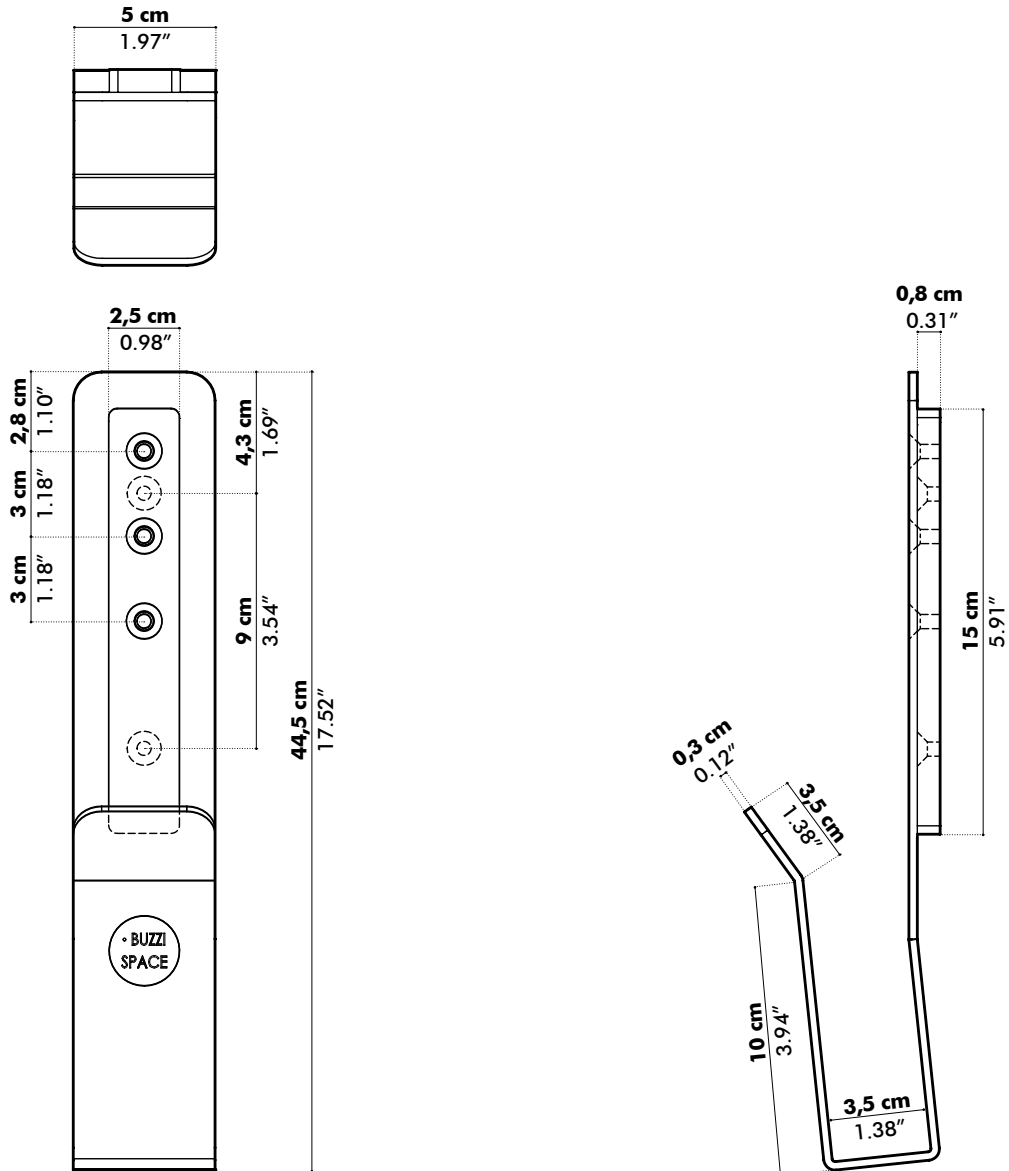
Height		Side		Length midpart	
<b>35 cm</b>	13.78"	<b>37,5 cm</b>	14.76"	<b>80 cm</b>	31.50"
<b>50 cm</b>	19.69"	<b>50 cm</b>	19.69"	<b>100 cm</b>	39.37"
				<b>120 cm</b>	47.24"
				<b>140 cm</b>	55.12"
				<b>160 cm</b>	62.99"
				<b>180 cm</b>	70.87"
				<b>200 cm</b>	78.74"



# Sliders

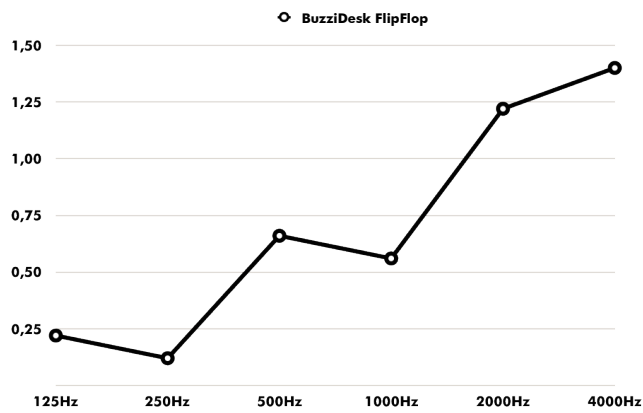


# FixWall



# Acoustics

## Equivalent sound absorption area in m<sup>2</sup> per object



Hz	Aeq/m <sup>2</sup>
125	0,22
250	0,12
500	0,66
1000	0,56
2000	1,22
4000	1,40