



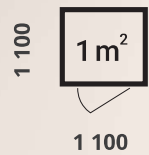
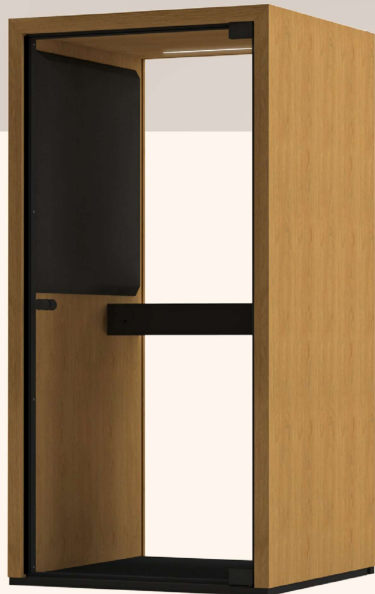
TAIGA[®]
C O N C E P T



LOHKO BOX 3.0

**Your Natural
Workspace**

www.taigaconcept.com



LOHKO BOX 1

LOHKO BOX 1 is a compact phone booth for private phone calls and video conferences. It is the perfect piece of furniture to help reduce distractions and boost productivity in a noisy office.

LOHKO BOX 1



General description

Product number	LB01V3
Capacity	1 person
Ventilation	60 l/s

Materials

Surface	Veneer or laminate
Wall structure	Wooden sandwich structure
Textile Carpet	100% PA SDN
Glass	Laminated and tempered sound control glass
Acoustic panels	2 pcs, fabric 73%PES 19%MAC 8%CO
Table	Antibacterial black matt laminate

Measurements

External dimensions	W. 1100 mm L. 1100 mm H. 2250 mm
Wall dimensions	W. 1100 mm L. 1100 mm H. 2200 mm
Internal dimensions	W. 980 mm L. 1020 mm H. 2110 mm
Recommended ceiling height	H. 2350 mm
Door opening width	W. 930 mm H. 2100mm
Product weight	approx. 310 kg
Product package	W. 1200 mm L. 2250 mm H. 590 mm
Packed weight	approx. 355 kg

Power

	EU / UK / CHINA	US
Input	220-240 VAC / 10 A	100-130 VAC / 15 A
Output	220-240 VAC / 9 A	100-130 VAC / 14 A
Frequency	50/60 Hz	50/60 Hz
Normal power consumption	23,8 W	23,8 W
Max. power consumption	28,8 W	28,8 W
LED power consumption	7,8 W	7,8 W
Normal Fan power consumption	16 W	16 W
Standby Fan power consumption	11 W	11 W
Max Fan power consumption	21 W	21 W

Power supply	From roof or from floor with 5 m power cable
Socket	1 pc power socket
Light	1 x Dimmable LED light, Length 0,6 m, Lumens 984 lm, color temperature 4000k
Ventilation	Adjustable fan, Auto mode
Co2 Sensor	Auto fan
Safety Switch	RCBO

Extra Features

Warranty

Elements / glass	5 years
Electric	2 years

Sprinkler / cable hole

Safe modification area for small holes marked on roof. See instructions before any modifications!

Door handedness

Left or right handed option

Extra accessories

Clothes hook
LPB Stool
Screen holder
Extra sockets (power, USB, RJ45 CAT6)

Color options





1 200

2,5m²

2 400

LOHKO BOX 2

LOHKO BOX 2 is an ideal office booth for 1 or 2 people. It can be set up as a personal workstation or a small meeting room. It is the optimal workspace to concentrate on your best work.

LOHKO BOX 2

General description

Product number	LB02V3
Capacity	1-2 people
Ventilation	70 L/s

Measurements

External dimensions	W. 2400 mm L. 1200 mm H. 2250 mm
Wall dimensions	W. 2400 mm L. 1200 mm H. 2200 mm
Internal dimensions	W. 2280 mm L. 1120 mm H. 2110 mm *
Door opening width	W. 850 mm H. 2100mm
Recommended ceiling height	H. 2400 mm
Product weight	approx. 530 kg
Product packages	1 pallet W. 750 mm L. 2500 mm H. 1160 mm, 1 carton W. 1390 mm L. 1090 mm H. 110 mm
Packed weight	approx. 580 kg

* 60 mm less length near door frame

Materials

Surface	Veneer or laminate
Wall structure	Wooden sandwich structure
Textile Carpet	100% PA SDN
Glass	Laminated and tempered sound control glass
Acoustic panels	2 pcs, fabric 73%PES 19%MAC 8%CO

Power

	EU / UK / CHINA	US
Input	220-240 VAC / 10A	100-130 VAC / 15A
Output	220-240 VAC / 9 A	100-130 VAC / 14 A
Frequency	50/60 Hz	50/60 Hz
Normal power consumption	42 W	42 W
Max. power consumption	47 W	47 W
LED power consumption	26 W	26 W
Normal Fan power consumption	16 W	16 W
Standby Fan power consumption	11 W	11 W
Max Fan power consumption	21 W	21 W

Power supply

From roof or from floor with 5 m power cable

Socket

1 x 4 pc power sockets

Light

1 x Dimmable LED light, Length 2 m, Lumens 3280 lm, color temperature 4000k

Ventilation

Adjustable fan, Auto mode

Co2 Sensor

Auto fan

Safety Switch

RCBO

Extra Features

Warranty

Elements / glass	5 years
Electric	2 years

Sprinkler / cable hole

Safe modification area for small holes marked on roof.
See instructions before any modifications!

Door handedness

Left or right handed option

Extra accessories

LB2 Table
LB2 Sofa
Clothes hook
Screen holder
Extra sockets (power, USB, RJ45 CAT6)

Color options



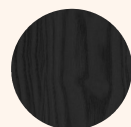
Spruce Natural
art.00



Spruce White
art. 01



Ash Natural
art. 20



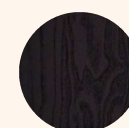
Ash Black
art. 21



Ash White
art. 22



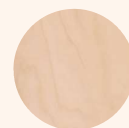
Oak Natural
art. 23



Oak Black
art. 24



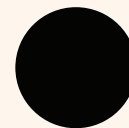
Oak White
art. 25



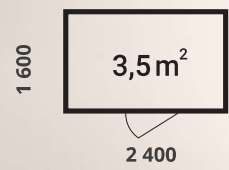
Birch Natural
art. 29



Laminate White
art. 02



Laminate Black
art. 03



LOHKO BOX 3

LOHKO BOX 3 is the perfect workspace or a meeting room for 1 to 3 people. It can be used as a spacious workstation for one, a productive co-working space or a meeting room.

LOHKO BOX 3

General description

Product number	LB03V3
Capacity	1-4 people
Ventilation	70 L/s

Materials

Surface	Veneer or laminate
Wall structure	Wooden sandwich structure
Textile Carpet	100% PA SDN
Glass	Laminated and tempered sound control glass
Acoustic panels	2 pcs, fabric 73%PES 19%MAC 8%CO

Measurements

External dimensions	W. 2400 mm L. 1600 mm H. 2250 mm
Wall dimensions	W. 2400 mm L. 1600 mm H. 2200 mm
Internal dimensions	W. 2280 mm L. 1520 mm H. 2110 mm *
Door opening width	W. 850 mm H. 2100mm
Recommended ceiling height	H. 2400 mm
Product weight	approx. 610 kg
Product packages	1 pallet W. 750 mm L. 2500 mm H. 1160 mm, 1 carton W. 1390 mm L. 1090 mm H. 110 mm
Packed weight	approx. 660 kg

* 60 mm less length near door frame

Power

	EU / UK / CHINA	US
Input	220-240 VAC / 10A	100-130 VAC / 15A
Output	220-240 VAC / 9 A	100-130 VAC / 14 A
Frequency	50/60 Hz	50/60 Hz
Normal power consumption	42 W	42 W
Max. power consumption	47 W	47 W
LED power consumption	26 W	26 W
Normal Fan power consumption	16 W	16 W
Standby Fan power consumption	11 W	11 W
Max Fan power consumption	21 W	21 W

Power supply	From roof or from floor with 5 m power cable
Socket	1 x 4 pc power sockets
Light	1 x Dimmable LED light, Length 2 m, Lumens 3280 lm, color temperature 4000k
Ventilation	Adjustable fan, Auto mode
Co2 Sensor	Auto fan
Safety Switch	RCBO

Extra Features

Warranty

Elements / glass	5 years
Electric	2 years

Sprinkler / cable hole

Safe modification area for small holes marked on roof.
See instructions before any modifications!

Door handedness

Left or right handed option

Extra accessories

LB3 Table
LB3 Sofa
Clothes hook
Screen holder
Extra sockets (power, USB, RJ45 CAT6)

Color options



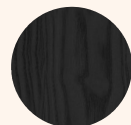
Spruce Natural
art.00



Spruce White
art. 01



Ash Natural
art. 20



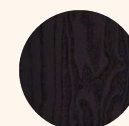
Ash Black
art. 21



Ash White
art. 22



Oak Natural
art. 23



Oak Black
art. 24



Oak White
art. 25



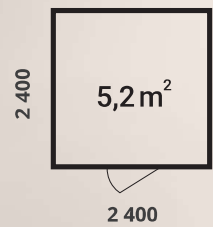
Birch Natural
art. 29



Laminate White
art. 02



Laminate Black
art. 03



LOHKO BOX 5

LOHKO BOX 5 is a medium sized workspace for up to 5 people. It is the ideal place for small teams to brainstorm and work on projects in a comfortable and a peaceful environment.

LOHKO BOX 5

General Description

Product number	LB05V3
Capacity	1-5 people
Ventilation	140 L/s

Measurements

External dimensions	W. 2400 mm L. 2400 mm H. 2250 mm
Wall dimensions	W. 2400 mm L. 2400 mm H. 2200 mm
Internal dimensions	W. 2280 mm L. 2320 mm H. 2110 mm *
Door opening width	W. 850 mm H. 2100mm
Recommended ceiling height	H. 2450 mm
Product weight	approx. 795 kg
Product packages	2 pallets W. 750 mm L. 2500 mm H. 1160 mm, 2 cartons W. 1390 mm L. 1090 mm H. 110 mm
Packed weight	approx. 895 kg

* 60 mm less length near door frame

Materials

Surface	Veneer or laminate
Wall structure	Wooden sandwich structure
Textile Carpet	100% PA SDN
Glass	Laminated sound control glass
Acoustic panels	4 pcs, fabric 73%PES 19%MAC 8%CO

Power

	EU / UK / CHINA	US
Input	220-240 VAC / 10A	100-130 VAC / 15A
Output	220-240 VAC / 9 A	100-130 VAC / 14 A
Frequency	50/60 Hz	50/60 Hz
Normal power consumption	84 W	84 W
Max. power consumption	94 W	94 W
LED power consumption	52 W	52 W
Normal Fan power consumption	32 W	32 W
Standby Fan power consumption	22 W	22 W
Max Fan power consumption	42 W	42 W

Power supply	From roof or from floor with 5 m power cable
Socket	1 x 4 pc power sockets
Light	2 x Dimmable LED light, Length 2 m, Lumens 6560 lm, color temperature 4000k
Ventilation	Adjustable fan, Auto mode
Co2 Sensor	Auto fan
Safety Switch	RCBO

Extra Features

Warranty

Elements / glass	5 years
Electric	2 years

Sprinkler / cable hole

Safe modification area for small holes marked on roof.
See instructions before any modifications!

Door Handedness

Left or right handed option

Extra Accessories

LB 5 Table
Clothes Hook
Screen holder
Extra sockets (power, USB, RJ45 CAT6)

Color options



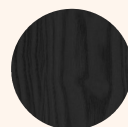
Spruce Natural
art.00



Spruce White
art. 01



Ash Natural
art. 20



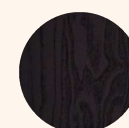
Ash Black
art. 21



Ash White
art. 22



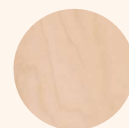
Oak Natural
art. 23



Oak Black
art. 24



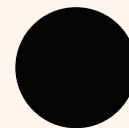
Oak White
art. 25



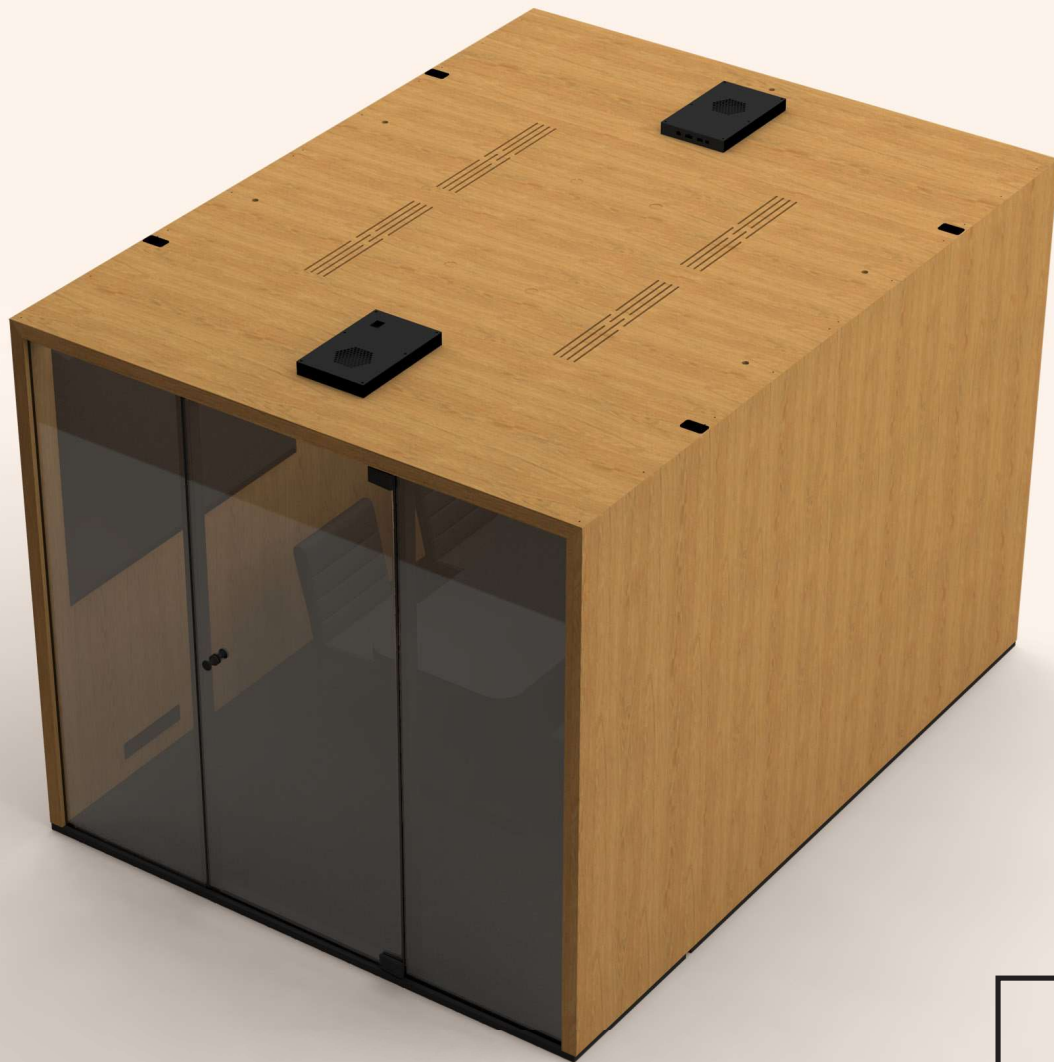
Birch Natural
art. 29



Laminate White
art. 02



Laminate Black
art. 03



LOHKO BOX 7

LOHKO BOX 7 is a large office booth that is perfect as a compact conference room or a productive coworking space for up to 7 people. There's plenty of room for a table and anything else your team needs to work on an important project.

LOHKO BOX 7

General description

Product number	LB07V3
Capacity	1-7 people
Ventilation	140 L/s

Materials

Surface	Veneer or laminate
Wall structure	Wooden sandwich structure
Textile Carpet	100% PA SDN
Glass	Laminated and tempered sound control glass
Acoustic panels	4 pcs, fabric 73%PES 19%MAC 8%CO

Measurements

External dimensions	W. 2400 mm L. 3200 mm H. 2250 mm
Wall dimensions	W. 2400 mm L. 3200 mm H. 2200 mm
Internal dimensions	W. 2280 mm L. 3120 mm H. 2110 mm *
Door opening width	W. 850 mm H. 2100mm
Recommended ceiling height	H. 2450 mm
Product weight	approx. 995 kg
Product packages	2 pallets W. 750 mm L. 2500 mm H. 1160 mm, 2 cartons W. 1390 mm L. 1090 mm H. 110 mm
Packed weight	approx. 1095 kg

* 60 mm less length near door frame

Power

	EU / UK / CHINA	US
Input	220-240 VAC / 10A	100-130 VAC / 15A
Output	220-240 VAC / 9 A	100-130 VAC / 14 A
Frequency	50/60 Hz	50/60 Hz
Normal power consumption	84 W	84 W
Max. power consumption	94 W	94 W
LED power consumption	52 W	52 W
Normal Fan power consumption	32 W	32 W
Standby Fan power consumption	22 W	22 W
Max Fan power consumption	42 W	42 W

Power supply

From roof or from floor with 5 m power cable

Socket

1 x 4 pc power sockets

Light

2 x Dimmable LED light, Length 2 m, Lumens 6560 lm, color temperature 4000k

Ventilation

Adjustable fan, Auto mode

Co2 Sensor

Auto fan

Safety Switch

RCBO

Extra Features

Warranty

Elements / glass	5 years
Electric	2 years

Sprinkler / cable hole

Safe modification area for small holes marked on roof.
See instructions before any modifications!

Door Handedness

Left or right handed option

Extra Accessories

LB 7 Table
Clothes Hook
Screen holder
Extra sockets (power, USB, RJ45 CAT6)

Color options



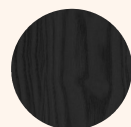
Spruce Natural
art.00



Spruce White
art. 01



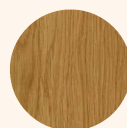
Ash Natural
art. 20



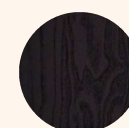
Ash Black
art. 21



Ash White
art. 22



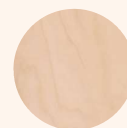
Oak Natural
art. 23



Oak Black
art. 24



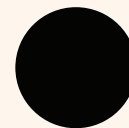
Oak White
art. 25



Birch Natural
art. 29



Laminate White
art. 02



Laminate Black
art. 03



Sustainability

Taiga Concept, where feasible, sources materials from suppliers who are FSC compliant. This is based on our Timber Sourcing Policy Statement.

All our materials are regulated by the European Market and comply with the highest regulations available. This is inclusive of low emissions of VOC and formaldehydes. Our products are currently being tested by UL under UL 962, UL 2818 and UL 723. In that way all our surface materials including; plywood, acoustic and upholstery foams are being tested for material safety.

Our electrical components have been CB tested and all hold, at least, the CE Declaration of Conformity. All electrical components hold RoHS certificates and we are currently certifying our electrical system for safety under UL 962.

Our products have been tested for sound insulation measurements. We stand by the quality of our product and we are confident in the measurement achieved by previous testing. However, we will be carrying out further testing in accordance with the latest ISO standards.

Learn more about our tests and certificates on our website, www.taigaconcept.com

Certification

Currently under evaluation for meeting all UL 962 and Greenguard (UL 2818) requirements.

Fire Safety

Currently under evaluation for meeting all UL 723 requirements.



Acoustic Panels

LOHKO BOX products are equipped with acoustic panels with colors from the basic color palette. For larger projects different materials and colours become available.

Fabric

Antibacterial 73%PES 19%MAC 8%CO

Positioning

LOHKO BOX 1 2 pcs
1 pc / wall (900 mm x 950 mm)



LOHKO BOX 2 2 pcs
1 pc / wall (1080 mm x 1350 mm)



LOHKO BOX 3 2 pcs
1 pc /wall (1350 mm x 1080 mm)



LOHKO BOX 5 4 pcs
2 pcs / wall (1080 mm x 1350 mm)



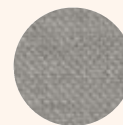
LOHKO BOX 7 4 pcs
2 pcs / wall (1350 mm x 1080 mm)



Color options



Black
Titan FR 999



Grey
Titan FR 46



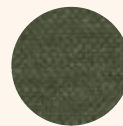
Lime
Titan FR 105



Orange
Titan FR 64



Blue
Titan FR 94



Dark Green
Titan FR 43



Magenta
Titan FR 15

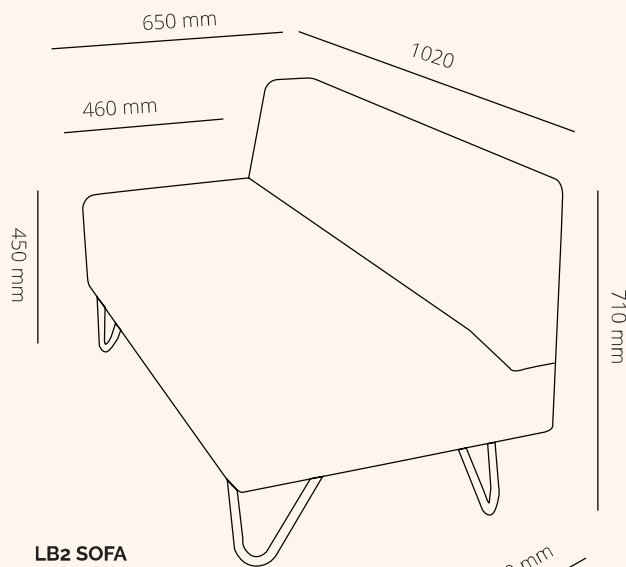


Custom
Project colors

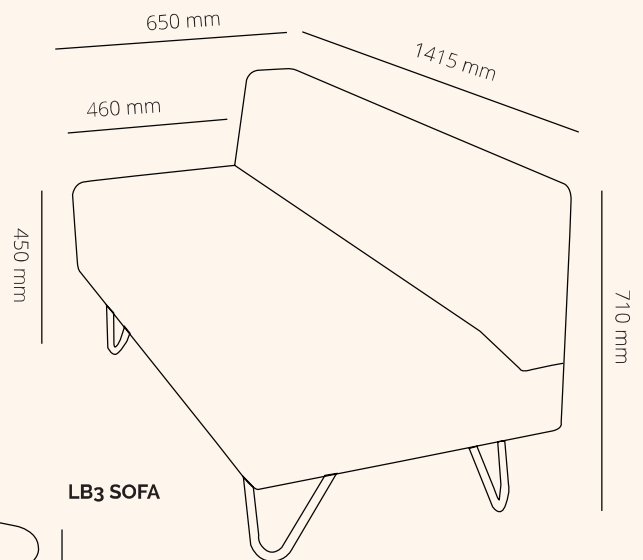


LB FURNITURE

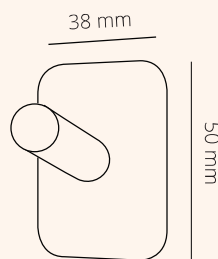
The LB2 and LB3 sofas are designed specially for our Lohko Box products. The sofas are very comfortable and well supported, along with a range of upholstery options that can be selected from our standard colors. The frame of the sofa is made from environmentally friendly plywood.



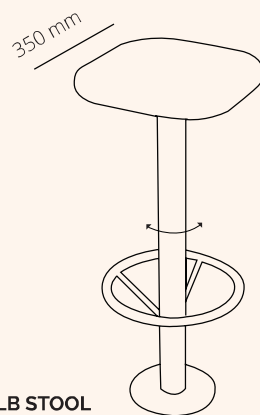
LB2 SOFA



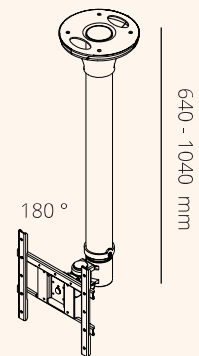
LB3 SOFA



CLOTHES HOOK



LB STOOL



SCREEN HOLDER

Features

LB2 SOFA

Dimensions	1020 mm x 650 mm x 710 mm
Product number	LS0200
Capacity	1-2 people
Weight approx.	25 kg

LB3 SOFA

Dimensions	1415 mm x 650 mm x 710 mm
Product number	LS0300
Capacity	1-3 people
Weight approx.	30 kg

LB STOOL

Dimensions	350 mm x 350 mm x 810 mm
Product number	LS0100
Capacity	1 people
Weight approx.	10 kg

Other relevant data

Structure	Plywood
Fabric	100% polyester F.R.
Legs	Black matt painted steel legs

Warranty

2 years

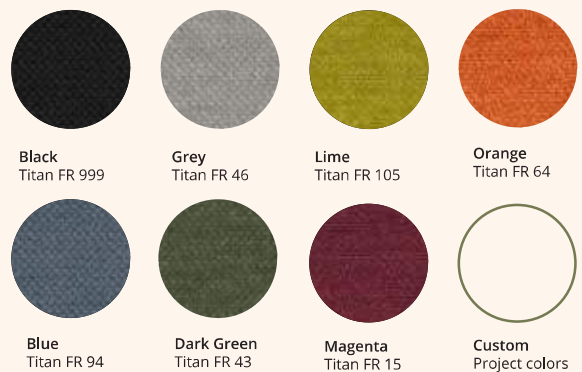
SCREEN HOLDER

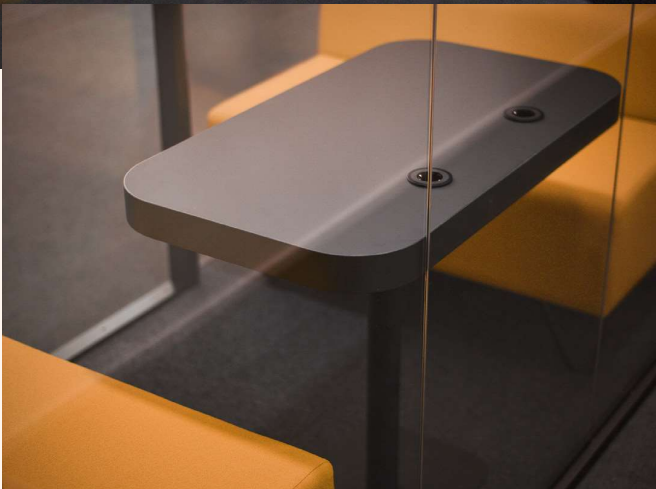
Dimensions	640-1040 mm x Ø 60mm
Product number	ACCSH03
Capacity	40" screen
Weight approx.	20 kg
VESA minimum	75 x 75 mm
VESA maximum	200 x 200 mm

CLOTHES HOOK

Product number	ACCCH01
Color	Black matt painted

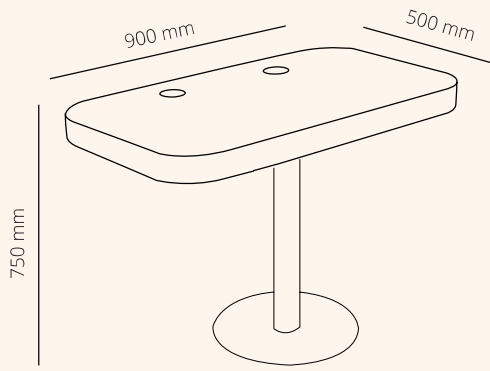
Color options



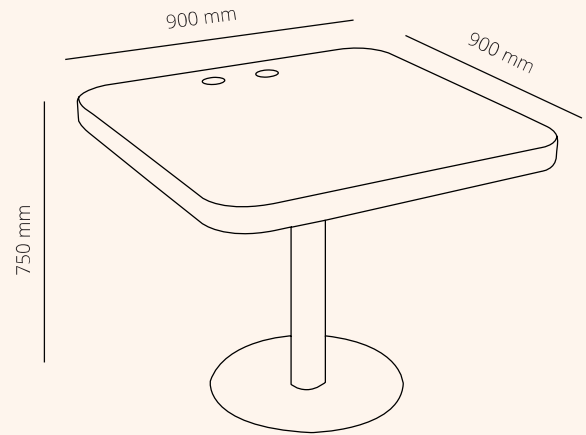


LB TABLE

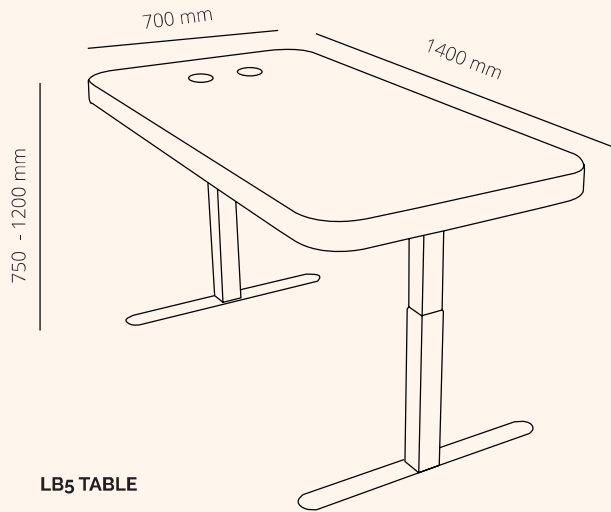
The Lohko Table series is specially designed for our Lohko Box products. Each table is equipped with two power sockets. The table has a highly unique design with the best laminate surface. LB5 and LB7 tables are multifunctional as the electrical connections are integrated within the tables.



LB2 TABLE



LB3 TABLE



LB5 TABLE



LB7 TABLE

Features

LB2 TABLE

Dimensions 900 mm x 500 mm x 750 mm
Product number LT0200

LB5 TABLE

Dimensions 1400 mm x 700 mm x 750-1200 mm adjustable table
Product number LT0500

LB3 TABLE

Dimensions 900 mm x 900 mm x 750 mm
Product number LT0300

LB7 TABLE

Dimensions 2200 mm x 700 mm x 750-1200 mm adjustable table
Product number LT0700

Other relevant data

Power 2 x power socket
Structure Plywood
Surface Antibacterial black matt laminate
Legs Black matt painted steel legs

Color options



Laminate black
 art. 03

Warranty

2 years

Your Natural Workspace

www.taigaconcept.com