

Draft



abstracta

www.abstracta.se



Draft

Design Daniel Lavonius Jarefeldt & Josef Zetterman (Tengbom arkitekter)



Dagens arbete blir mer och mer flexibelt. Behovet av en egen arbetsplats och fasta mötesrum är inte längre en självklarhet.

Draft är en mobil, dubbelsidig skrivtavla med en grafisk och enkel form.

Work nowadays is becoming increasingly flexible. Fixed workplaces and meeting rooms are no longer obvious requirements.

Draft is a mobile, double-sided writing board with a simple graphic form.



Dubbelsidig, vit skrivyta med E3, glasemaljerad, magnetbärande stålplåt.

Double-sided, white writingboard E3, enamel magnetic steel sheet.



Under skrivytorna finns en trälåda, för förvaring av t ex pennor och sudd. Trälådan i ek adderar värme till produktens uttryck.

Below the writing surfaces is a wooden drawer for storing pens and erasers, for example. The wooden drawer is made from oak and adds a warm feeling to the expression.



Tavlan har ett antracitgrått stålstativ med låsbara hjul.

The board has an anthracite grey steel frame with lockable castors.





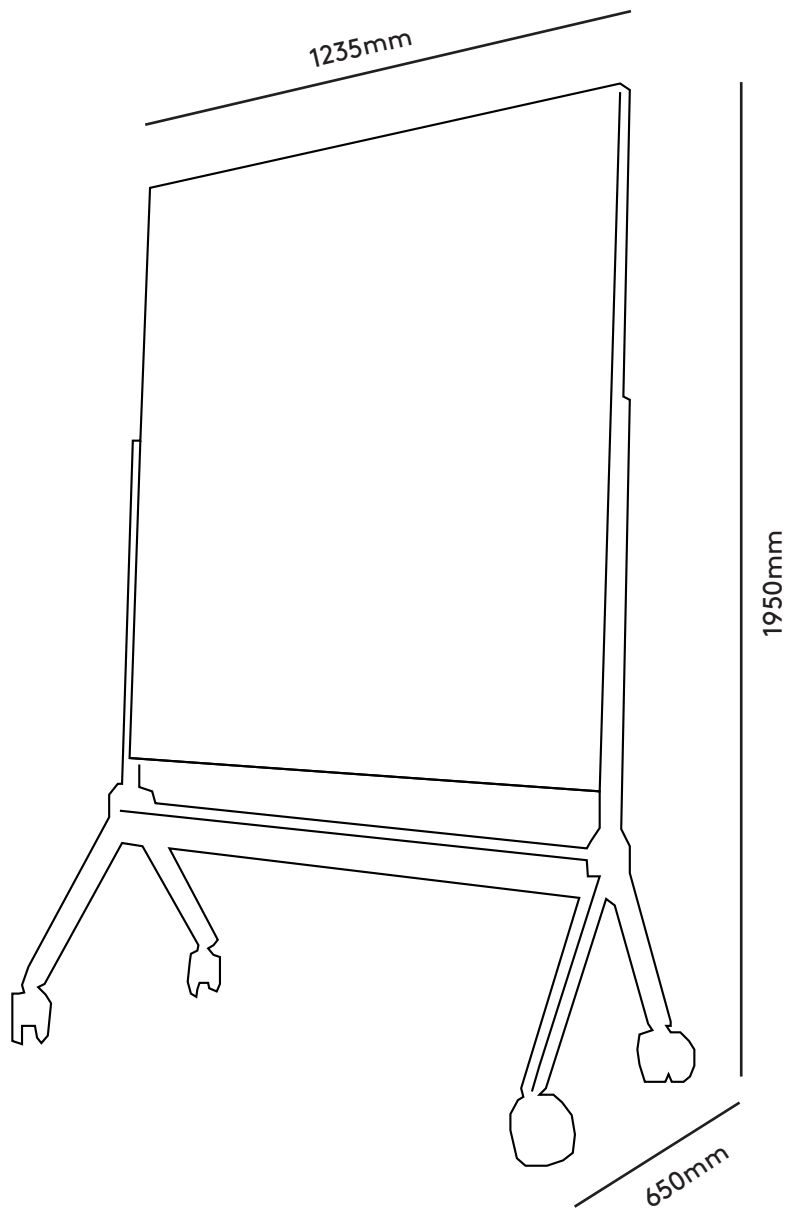
JAMES'
ONLY
UNIT
IS IN A
HURRY

Alumi Alkov
Design finds Jobs



Teknisk information/Technical information

Mått Draft mobil skrivtavla
/Measurements Draft mobile writing board



Every whiteboard in the Abstracta range has an E3 surface; an environment-friendly, glass enamelled, sheet of steel. The writing surface is magnetic. E3 is recommended for short throw projectors only.

A special "White board kit" is available as an accessory This has been developed to fit the E3 surface and includes: eraser, markers, penholder, bottle of cleaning fluid and magnets.

abstracta

Box 75, Lammengatan 2, SE-360 30 Lammhult, Sweden

T +46 472 26 96 00, F +46 472 26 96 01

info@abstracta.se

www.abstracta.se

Environmental Product Declaration



DRAFT MOBIL WHITEBOARD

Dimensions (wxhxd mm): 930x630x20

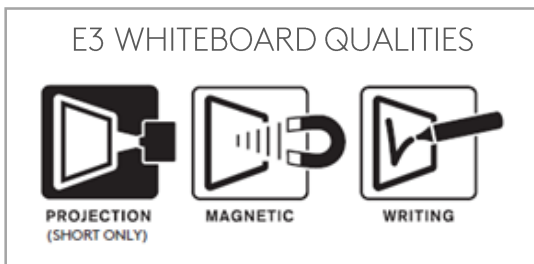
Product Range: Meetings

Article number: 125 230 00

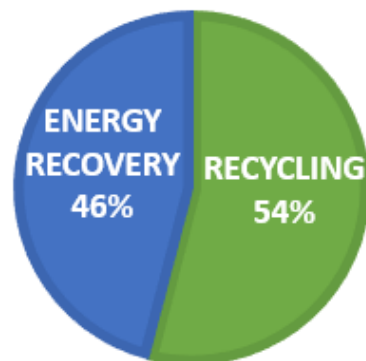
Content

MATERIAL	SPECIFICATION	WEIGHT (g)	SHARE (%)	DISPOSAL
Woodbased	lightweight disc (14222 g) box of oak (1792 g) bracket, cover block of MDF (324 g)	16338	44,8	Energy Recovery
Metal	writing surface, tripod, wheel bearing, tap, screw, nail of steel	5625	22,8	Recycling
Plastic	wheels of PA and PUR (790 g) edge list of ABS (459 g) cover block of LLDPE (20 g) distance of PA6 (16 g)	6887	27,9	Recycling
Fabrics	polyester felt	126	0,4	Energy Recovery
Adhesive	water-based contact adhesive (300 g) aqueous dispersion adhesive (100 g)	400	1,1	Energy Recovery
Surface Treatment Metal	sheet metal sheet steel enamelled (weight included in metal)			
Surface Treatment Woodbased	box 2-component clear coat, MDF 2 Components Acid Hardening top color (weight included in wood / wood based material)			
Total		36432		
Packaging	cardboard, plastic	5390		

Product Information



DISPOSAL



abstracta

ENVIRONMENTAL WORK & PRODUCTION PROCESS

Abstracta contributes to sustainable development by working systematically to reduce the environmental impact.

- Abstracta has an effective environmental management system that continuously evaluates and improves.
- Environmental aspects considerations are always reviewed before decisions are taken about changes or major investments.
- Abstracta complies with or exceeds the applicable requirements specified in environmental legislation.
- Abstracta demands and monitors the suppliers' environmental impacts.

Abstracta offers responsible furniture production with the least possible environmental impact.

- The Abstracta factory purchases electricity sourced from hydro-electric power.
- The Abstracta factory is heated with locally produced district heating.
- All waste arising at the Abstracta factory are sorted into fractions and disposed in an appropriate manner.
- Abstracta management system is certified according to ISO 9001, ISO 14001 and OHSAS 18001.

ENVIRONMENTAL ASPECTS DRAFT WHITEBOARD

- There are no emissions to air, water or land at the Abstracta factory during production of Draft whiteboard.
- Wood used in Draft whiteboard meets applicable requirements for traceability.
- Draft whiteboard E3 writing surface contains recycled material.
- The materials in Draft whiteboard is recyclable, either as material recycling or energy recovery.
- Consumed products are disassembled and taken to a recycling center.

QUALITY DRAFT WHITEBOARD

Draft writing board is Möbelfakta labeled. Furniture facts include quality, environment and social responsibility and are complete reference and labeling system that sets technical, environmental and productive requirements.

Draft writing board has been tested and evaluated according to the following standards:

- SS-EN 14434: 2010
- EN 14434: 2010.

CARE INSTRUCTIONS DRAFT WHITEBOARD

Remove any protective film from the whiteboard and clean the surface properly before first use. Ordinary used whiteboards should then be cleaned a couple of times per week. The whiteboard must be absolutely dry when used. Only use pens intended for whiteboards. Replace the felt on the eraser on a regular basis.

Clean the whiteboard as follows

- Wipe clean with approved cleaning fluid intended for whiteboards.
- Then wash away residual cleaning fluid with only lukewarm water.
- Dry with a cloth.
- Repeat if necessary.
- Slightly used boards can be washed with only lukewarm water.
- Dry with a cloth.

Note: Avoid cleaners not intended for whiteboards (e.g. soap or detergent) since remains can degrade eraser ability.

ABOUT ABSTRACTA

With knowledge and experience Abstracta develops products for an inspiring workplace. High quality and timeless design contributes to the long service life of Abstracta products. Abstracta is a Swedish company with its own factory in Småland where both production and development takes place. The company has been operating since 1972 and about 50 percent of production is currently exported worldwide. Abstracta is part of Lammhults Design Group.