



Colander chair
Polypropylene body

Elephant table
Bistro - double base version

Colander



Colander chair
Colour palette



Colander chair
Wooden body



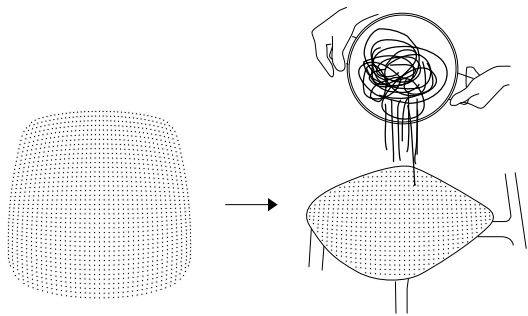
Colander stool
Wooden body



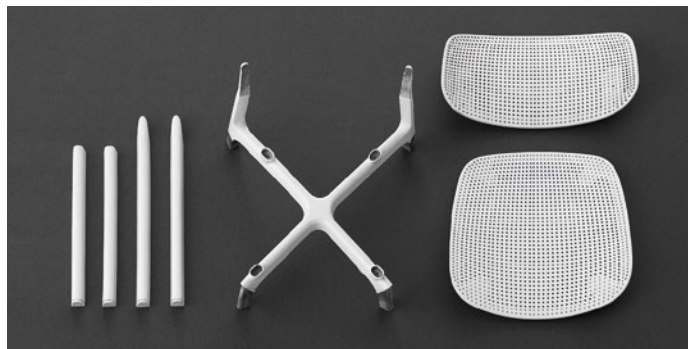
Colander chair
Upholstered body

TNP table
Bistro





1



2



3

Type



Stackable chair
 L 47 P 49 H 79 cm
 W 17⁵/₈" D 19²/₈" H 31¹/₈"



Stackable stool
 L 54 P 52 H 98-108 cm
 W 21²/₈" D 20⁴/₈" H 38⁵/₈-42⁴/₈"



Lips-R
 Removable cushion



4

Soft options



Lips-R removable cushion



Lips-R removable cushion



Upholstered version

Colander

DESIGN BY PATRICK NORGUET, 2015

IT Colander traduce in forma di sedia la creatività innovativa di Patrick Norguet, designer francese attento all'evoluzione dei materiali e delle tecnologie. La struttura in alluminio verniciato, leggera e inalterabile, sorregge sedile e schienale, disponibili in tre varianti: quella originaria in polipropilene stampato a iniezione e caratterizzato da una texture forata che ricorda uno scolapasta, da cui la sedia ha preso il nome, e le due nuove versioni in legno curvato e imbottita con rivestimento in tessuto o pelle. Impilabile, mono o bicolore, per l'ampia scelta di finiture Colander può essere usata all'interno degli ambienti più diversi, domestici o collettivi.

EN Colander translates the innovative creativity of Patrick Norguet, the French designer who focuses on the development of materials and technologies, into a chair. The light and unalterable painted aluminium frame supports the seat and backrest, available in three versions: the original version in injection-moulded polypropylene featuring a perforated texture that recalls a colander, hence the name of the chair, and two new versions in curved wood and upholstered in fabric or leather. Stackable, single or two-tone, thanks to a wide choice of finishes Colander can be used in the most varied home or community environments.

DE Colander präsentiert die stuhlgewordene innovative Kreativität von Patrick Norguet, ein französischer Designer, der stets auf die

Weiterentwicklung der Materialien und Technologien bedacht ist. Eine leichte und beständige Struktur aus lackiertem Aluminium trägt die Sitzfläche und die Rückenlehne, die in drei Varianten erhältlich sind: Die ursprüngliche Version aus spritzgegossenem Polypropylen, das sich durch eine gelochte, an einen Nudelsieb erinnernde Textur auszeichnet, die dem Stuhl seinen Namen gibt. Dazu gesellen sich zwei neue Versionen aus gerundetem Holz und gepolstert mit Stoff- oder Lederbezug. Stapelbar, einfarbig oder mehrfarbig... durch das reichhaltige Angebot an Ausführungen lässt sich Colander in den unterschiedlichsten Räumlichkeiten des Heims oder in Gemeinschaftseinrichtungen einsetzen.

ES Colander traduce en forma de silla la innovadora creatividad de Patrick Norguet, diseñador francés atento a la evolución de los materiales y de las tecnologías. Ligera e inalterable, la estructura de aluminio barnizado sostiene el asiento y el respaldo, disponibles en tres variantes: la original de polipropileno moldeado por inyección y caracterizado por una textura perforada semejante a la de un escurridor, de la que toma el nombre la silla, y las dos nuevas versiones de madera curvada, con revestimiento de tejido o piel. Apilable, mono o bicolor, gracias a su amplio surtido de acabados Colander puede ser utilizada en el interior de cualquier ambiente doméstico o colectivo.

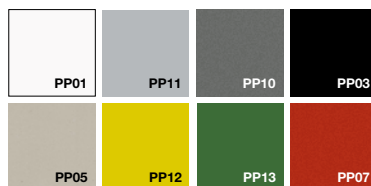
FR Colander traduit, sous forme de chaise, la créativité innovante de Patrick Norguet, designer

français attentif à l'évolution des matériaux et des technologies. La structure en aluminium laqué, légère et inaltérable, soutient l'assise et le dossier déclinés en trois variantes : celle d'origine en polypropylène moulé par injection et se distinguant par une surface perforée rappelant une passoire, d'où son nom, et les deux nouvelles versions en bois courbe ou bien garnie et revêtue en tissu ou en cuir. Empilable, monochrome ou bicolore, Colander s'utilise dans des espaces intérieurs, tant domestiques que collectifs, grâce au vaste choix des finitions proposées.

Aluminium base



Polypropylene body



Wood body



Upholstered body



Upholstered body



Seating



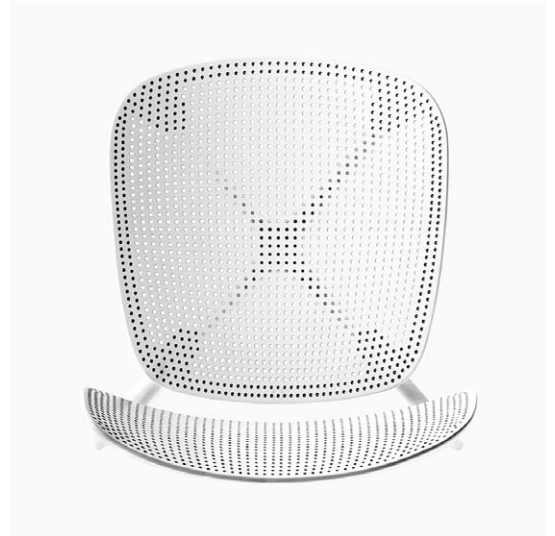
Colander



Seating



1



2



Lips-R

Colander



Seating



Colander

Patrick Norguet



Lips removable cushion p. 190



Casper rain cover p. 196

IT Continua la collaborazione fra Kristalia e Patrick Norguet, designer francese dallo spirito eclettico e innovativo, attento all'evoluzione dei materiali e delle tecnologie: nasce la sedia impilabile Colander. È realizzata con una leggera e inalterabile struttura in alluminio verniciato, con sedile e schienale in polipropilene stampato a iniezione e caratterizzato da una texture forata che ricorda uno scolapasta (ecco spiegato il nome). Disponibile in diversi colori, sia in versione monocolore che in abbinamenti bicolori fra l'alluminio e il polipropilene. Colander può essere utilizzata in un'infinità di ambienti e situazioni, in interni o in esterni.

EN The partnership that continues between Kristalia and Patrick Norguet, the French designer with an innovative and eclectic spirit, focused on developing materials and technologies, has led to the stackable chair called Colander. It has a light, unalterable painted aluminium frame with an injection-moulded polypropylene seat and back and a perforated texture reminiscent of a colander (hence its name). It comes in various colours, either in a uni-colour version or two-tone versions in aluminium and

polypropylene. Colander can be used in a multitude of spaces and contexts, both indoors and outdoors.

DE Und weiter geht die Zusammenarbeit zwischen Kristalia und Patrick Norguet, dem französischen Designer mit vielseitigem und innovativem Geist, der stets auf die Evolution der Materialien und der Technologien bedacht ist: Das Ergebnis ist der stapelbare Stuhl Colander. Er besteht aus einer leichten und beständigen Struktur aus lackiertem Aluminium, mit Sitzfläche und Rückenlehne aus spritzgegossenem Polypropylen, das sich durch eine gelochte Textur auszeichnet, die an einen Nudelsieb erinnert (das erklärt auch den Namen). Erhältlich in verschiedenen Farben, sowohl in einfarbiger Version als auch in zweifarbigen Kombinationen aus Aluminium und Polypropylen. Colander lässt sich in unzähligen Raumsituationen im Außen- und Innenbereich nutzen.

ES Continúa la colaboración entre Kristalia y Patrick Norguet, diseñador francés de espíritu ecléctico e innovador, atento a la evolución de los materiales y de las tecnologías: nace la silla apilable Colander. Está realizada con una ligera

e inalterable estructura de aluminio barnizado, con asiento y respaldo de polipropileno moldeado por inyección, y se caracteriza por su textura perforada semejante a la de un escurridor (lo que explica su nombre). Está disponible en varios colores, tanto en versión monocolore como en combinaciones bicolors entre el aluminio y el polipropileno. Colander puede utilizarse en una infinidad de ambientes y situaciones, en ambientes interiores o exteriores.

FR La collaboration entre Kristalia et Patrick Norguet, le designer français à l'esprit éclectique et innovateur, toujours très attentif à l'évolution des matériaux et des technologies, va de l'avant, c'est ainsi que fait son apparition la chaise empilable Colander. Elle a été réalisée avec une structure en aluminium laqué, légère et inaltérable, avec une assise et un dossier en propylène moulé par injection se caractérisant par sa texture percée rappelant un égouttoir, qui en italien s'appelle un "scolapasta" (d'où son nom). Disponible en différents coloris, en version soit monocolore soit bicolore (alliance alu-polypropylène). Colander peut être utilisée dans d'innombrables milieux et situations, à l'intérieur tout comme à l'extérieur.

Type



Stackable chair
L 47 P 49 H 79 cm
W 17⁵/₈" D 19²/₈" H 31¹/₈"

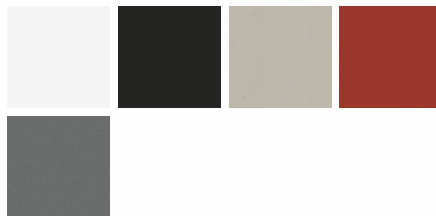


Stackable stool
L 54 P 52 H 98-108 cm
W 21²/₈" D 20⁴/₈" H 38⁵/₈-42⁴/₈"

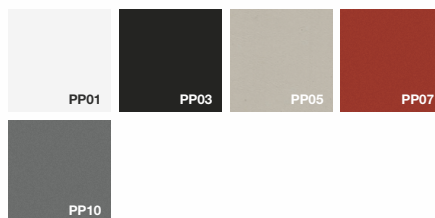


Lips—R
Removable cushion

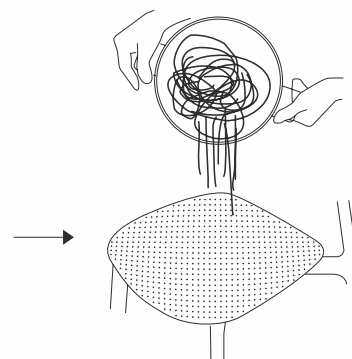
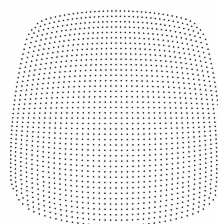
Aluminium base



Polypropylene body



Removable cushions (Heritage Sunbrella® fabric)



Choose the language

English

Italiano

Deutsch

Français

Español

COLANDER

Chair

Base finish:

Aluminium lacquered in same colour as seat

Body finish:

White polypropylene (PP01)
 Black polypropylene (PP03)
 Beige polypropylene (PP05)
 Red coral polypropylene (PP07)
 Grey basalt polypropylene (PP10)
 Light grey polypropylene (PP11)
 Zinc yellow polypropylene (PP12)
 Meadow green polypropylene (PP13)

Lips cushion cover finish:

A = COM (Customer fabric)
 B = Field 2

Note:

FEET:

Standard in hard plastic. On request we supply feet with felt insert for wooden floors.

For info on fabric composition, see inside cover.

For COM/COL orders, see inside cover.

Lips cushion consumption: 0,55 ml (H. 140 cm).

STACKABILITY:

- Up to 10 pcs.
 - On cart up to 12 pcs.

Reinforced packaging, see inside cover.

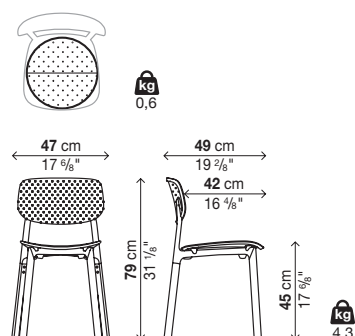
Code	Base	Body										pack	m ³	Kg
		Polypropylene												
05CLN01	Lacquered aluminium in same colour as seat											1	0,35	

4 chairs in each package (Kg. 20,7) / 3 (Kg. 16,4) / 2 (Kg. 12,1) / 1 chair (Kg. 7,8)

Optionals

Code	Description	Cover											pack	m ³	Kg	
		A	B	C	D	E	F	G	H	L1	L2	L3				
20LIR01	LIPS-R removable cushion (not removable cover)			-	-	-	-	-	-	-	-	-	-	1	0,01	1
02PIE02	Set of felt feet													-	-	-
20CAR03	Chair cart (black lacquered steel)													1	0,12	19

LIPS-R (20LIR01)



COLANDER

Stool

Base finish:

Aluminium lacquered in same colour as seat

Body finish:

White polypropylene (PP01)
 Black polypropylene (PP03)
 Beige polypropylene (PP05)
 Red coral polypropylene (PP07)
 Grey basalt polypropylene (PP10)
 Light grey polypropylene (PP11)
 Zinc yellow polypropylene (PP12)
 Meadow green polypropylene (PP13)

Lips cushion cover finish:

A = COM (Customer fabric)
 B = Field 2

Note:

FEET:
 Standard in hard plastic. On request we supply feet with felt insert for wooden floors.

For info on fabric composition, see inside cover.

For COM/COL orders, see inside cover.

Lips cushion consumption: 0,55 ml (H. 140 cm).

STACKABILITY:

- Up to 6 pcs.

Reinforced packaging, see inside cover.

Low stool (seat height 66 cm)

Code	Base	Body										pack	m ³	Kg
		Polypropylene												
05CLN11	Lacquered aluminium in same colour as seat											1	0,36	

2 stools in each package (Kg.15) / 1 stool (Kg.9,5)

High stool (seat height 76 cm)

Code	Base	Body										pack	m ³	Kg
		Polypropylene												
05CLN12	Lacquered aluminium in same colour as seat											1	0,44	

2 stools in each package (Kg.15,4) / 1 stool (Kg.9,7)

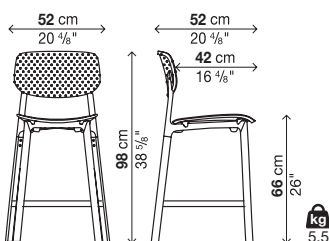
Optionals

Code	Description	Cover											pack	m ³	Kg
		A	B	C	D	E	F	G	H	L1	L2	L3			
20LIR01	LIPS-R removable cushion (not removable cover)			-	-	-	-	-	-	-	-	-	1	0,01	1
02PIE02	Set of felt feet												-	-	-

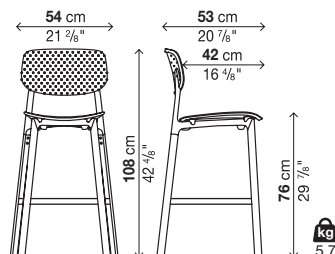
LIPS-R (20LIR01)



05CLN11



05CLN12



COLANDER WOOD

Chair

Base finish:

White lacquered aluminium (colour reference "White polypropylene PP01")
 Black lacquered aluminium (colour reference "Black polypropylene PPO3")

Body finish:

Wood, european oak effect
 Wood, walnut effect
 Wood, black oak effect

Lips cushion cover finish:

A = COM (Customer fabric)
 B = Field 2

Note:

FEET:
 Standard in hard plastic. On request we supply feet with felt insert for wooden floors.

For info on fabric composition, see inside cover.

For COM/COL orders, see inside cover.

Lips cushion consumption: 0,55 ml (H. 140 cm).

STACKABILITY:

- Up to 4 pcs.
 - On cart up to 4 pcs.

Reinforced packaging, see inside cover.

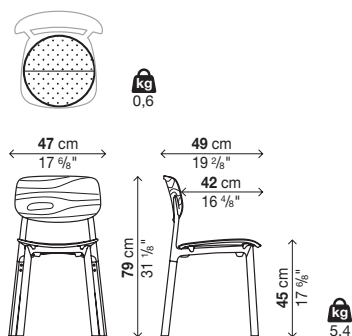
Code	Base	Body			pack	m ³	Kg
		European oak	Walnut	Black oak			
05CLN31	Lacquered aluminium				1	0,35	

4 chairs in each package (Kg. 25,1) / 3 (Kg. 19,7) / 2 (Kg. 14,3) / 1 chair (Kg. 8,9)

Optionals

Code	Description	Cover										pack	m ³	Kg	
		A	B	C	D	E	F	G	H	L1	L2				L3
20LIR01	LIPS-R removable cushion (not removable cover)			-	-	-	-	-	-	-	-	-	1	0,01	1
02PIE02	Set of felt feet												-	-	-
20CAR03	Chair cart (black lacquered steel)												1	0,12	19

LIPS-R (20LIR01)



COLANDER WOOD

Stool

Base finish:

White lacquered aluminium (colour reference "White polypropylene PP01")

Black lacquered aluminium (colour reference "Black polypropylene PP03")

Body finish:

Wood, european oak effect

Wood, walnut effect

Wood, black oak effect

Lips cushion cover finish:

A = COM (Customer fabric)

B = Field 2

Note:

FEET:

Standard in hard plastic. On request we supply feet with felt insert for wooden floors.

For info on fabric composition, see inside cover.

For COM/COL orders, see inside cover.

Lips cushion consumption: 0,55 ml (H. 140 cm).

STACKABILITY:

- Up to 4 pcs.

Reinforced packaging, see inside cover.

Low stool (seat height 66 cm)

Code	Base	Body			pack	m ³	Kg
		European oak	Walnut	Black oak			
05CLN42	Lacquered aluminium				1	0,36	

2 stools in each package (Kg. 17) / 1 stool (Kg. 10,5)

High stool (seat height 76 cm)

Code	Base	Seat and back			pack	m ³	Kg
		European oak	Walnut	Black oak			
05CLN43	Lacquered aluminium				1	0,44	

2 stools in each package (Kg. 17,4) / 1 stool (Kg. 10,7)

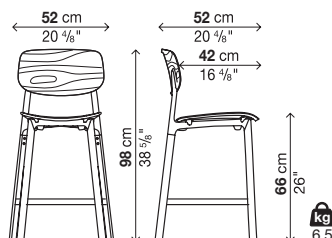
Optionals

Code	Description	Cover											pack	m ³	Kg		
		A	B	C	D	E	F	G	H	L1	L2	L3					
20LIR01	LIPS-R removable cushion (not removable cover)			-	-	-	-	-	-	-	-	-	-	-	1	0,01	1
02PIE02	Set of felt feet														-	-	-

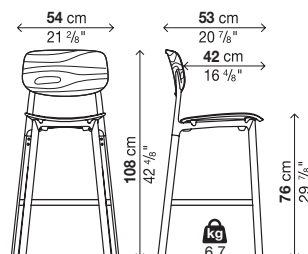
LIPS-R (20LIR01)



05CLN42



05CLN43



COLANDER PADDED

Chair

Base finish:

White lacquered aluminium (colour reference "White polypropylene PP01")
 Black lacquered aluminium (colour reference "Black polypropylene PP03")
 Beige lacquered aluminium (colour reference "Beige polypropylene PP05")
 Coral red lacquered aluminium (colour reference "Coral red polypropylene PP07")
 Basalt grey lacquered aluminium (colour reference "Basalt grey polypropylene PP10")
 Light grey lacquered aluminium (colour reference "Light grey polypropylene PP11")
 Zinc yellow lacquered aluminium (colour reference "Zinc yellow polypropylene PP12")
 Meadow green lacquered aluminium (colour reference "Meadow green polypropylene PP13")

Finish of cover:

A = Valencia (synthetic leather)
 B = Field 2, COM (Customer fabric)
 C = Merit, COL (Customer leather)
 D = Clara 2, Patio, Regal, Remix 2
 E = Curmi, Hero, Melange Nap
 F = Canvas 2, Scuba, Steelcut trio 3
 G = Divina Melange 3, Hallingdal 65
 H = Twill Weave

Note:

Seat upholstered in NON-REMOVABLE fabric.

For info on fabric composition, see inside cover.

For COM/COL orders, see inside cover.

COM consumption: 0,6 ml (H. 140 cm).
 COL consumption: 0,8 mq.

FEET:

Standard in hard plastic. On request we supply feet with felt insert for wooden floors.

Seat NOT stackable.

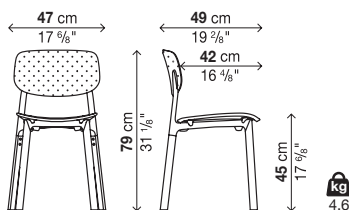
Reinforced packaging, see inside cover.

Code	Base	Cover											pack	m ³	Kg		
		A	B	C	D	E	F	G	H	L1	L2	L3					
05CLN04	Lacquered aluminium												-	-	-	1	0,21

2 chairs in each package (Kg. 12,2) / 1 chair (Kg. 7,6)

Optionals

Code	Description	pack	m ³	Kg
02PIE02	Set of felt feet	-	-	-



COLANDER PADDED

Stool

Base finish:

- White lacquered aluminium (colour reference "White polypropylene PP01")
- Black lacquered aluminium (colour reference "Black polypropylene PP03")
- Beige lacquered aluminium (colour reference "Beige polypropylene PP05")
- Coral red lacquered aluminium (colour reference "Coral red polypropylene PP07")
- Basalt grey lacquered aluminium (colour reference "Basalt grey polypropylene PP10")
- Light grey lacquered aluminium (colour reference "Light grey polypropylene PP11")
- Zinc yellow lacquered aluminium (colour reference "Zinc yellow polypropylene PP12")
- Meadow green lacquered aluminium (colour reference "Meadow green polypropylene PP13")

Finish of cover:

- A = Valencia (synthetic leather)
- B = Field 2, COM (Customer fabric)
- C = Merit, COL (Customer leather)
- D = Clara 2, Patio, Regal, Remix 2
- E = Curmi, Hero, Melange Nap
- F = Canvas 2, Scuba, Steelcut trio 3
- G = Divina Melange 3, Hallingdal 65
- H = Twill Weave

Note:

Seat upholstered in NON-REMOVABLE fabric.

For info on fabric composition, see inside cover.

For COM/COL orders, see inside cover.

COM consumption: 0,6 ml (H. 140 cm).
COL consumption: 0,8 mq.

FEET:

Standard in hard plastic. On request we supply feet with felt insert for wooden floors.

Seat NOT stackable.

Reinforced packaging, see inside cover.

Low stool (seat height 66 cm)

Code	Base	Cover											pack	m ³	Kg			
		A	B	C	D	E	F	G	H	L1	L2	L3						
05CLN13	Lacquered aluminium												-	-	-	1	0,44	9,7

1 stool in each package

High stool (seat height 76 cm)

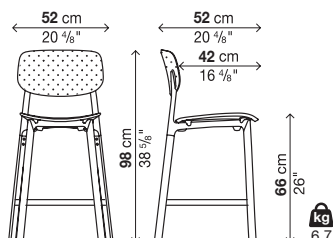
Code	Base	Cover											pack	m ³	Kg			
		A	B	C	D	E	F	G	H	L1	L2	L3						
05CLN14	Lacquered aluminium												-	-	-	1	0,44	10

1 stool in each package

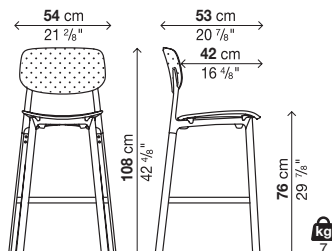
Optionals

Code	Description	pack	m ³	Kg
02PIE02	Set of felt feet	-	-	-

05CLN13



05CLN14



COLANDER

Sedia

Finitura base:

Alluminio verniciato in tinta con la seduta

Finitura scocca:

Polipropilene bianco (PP01)
 Polipropilene nero (PP03)
 Polipropilene beige (PP05)
 Polipropilene rosso corallo (PP07)
 Polipropilene grigio basalto (PP10)
 Polipropilene grigio chiaro (PP11)
 Polipropilene giallo zinco (PP12)
 Polipropilene verde prato (PP13)

Finitura rivestimento cuscino Lips:

A = COM (tessuto Cliente)
 B = Field 2

Note:

PIEDINI:

Di serie in plastica dura. Su richiesta vengono forniti piedini con inserto in feltro per pavimenti in legno.

Per informazioni su composizioni tessuti vedi interno di copertina.

Per ordini COM/COL vedi interno di copertina.

Consumo cuscino Lips: 0,5 ml (H. 140 cm).

IMPILABILITÀ:

- Fino a 10 pz.
 - Su carrello fino a 12 pz.

Imballi rinforzati vedi interno di copertina.

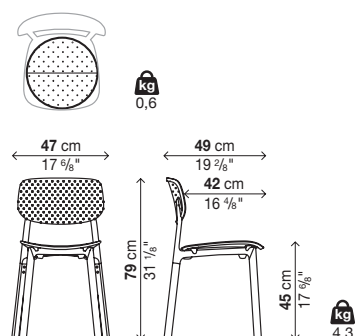
Codice	Base	Scocca		
		colli	m ³	Kg
		Polipropilene		
05CLN01	Alluminio verniciato in tinta con la seduta	1	0,35	

ogni collo contiene 4 sedie (Kg. 20,7) / 3 (Kg. 16,4) / 2 (Kg. 12,1) / 1 sedia (Kg. 7,8)

Optionals

Codice	Descrizione	Rivestimento											colli	m ³	Kg
		A	B	C	D	E	F	G	H	L1	L2	L3			
20LIR01	Cuscino rimovibile LIPS-R (non sfoderabile)			-	-	-	-	-	-	-	-	-	1	0,01	1
02PIE02	Set di piedini in feltro												-	-	-
20CAR03	Carrello trasporto sedie (acciaio verniciato nero)												1	0,12	19

LIPS-R (20LIR01)



COLANDER

Sgabello

Finitura base:

Alluminio verniciato in tinta con la seduta

Finitura scocca:

Polipropilene bianco (PP01)
 Polipropilene nero (PP03)
 Polipropilene beige (PP05)
 Polipropilene rosso corallo (PP07)
 Polipropilene grigio basalto (PP10)
 Polipropilene grigio chiaro (PP11)
 Polipropilene giallo zinco (PP12)
 Polipropilene verde prato (PP13)

Finitura rivestimento cuscino Lips:

A = COM (tessuto Cliente)
 B = Field 2

Note:

PIEDINI:

Di serie in plastica dura. Su richiesta vengono forniti piedini con inserto in feltro per pavimenti in legno.

Per informazioni su composizioni tessuti vedi interno di copertina.

Per ordini COM/COL vedi interno di copertina.

Consumo cuscino Lips: 0,5 ml (H. 140 cm).

IMPILABILITÀ:

- Fino a 6 pz.

Imballi rinforzati vedi interno di copertina.

Sgabello basso (altezza seduta 66 cm)

Codice	Base	Scocca	colli	m ³	Kg
		Polipropilene			
05CLN11	Alluminio verniciato in tinta con la seduta		1	0,36	

ogni collo contiene 2 sgabelli (Kg.15,2) / 1 sgabello (Kg.9,5)

Sgabello alto (altezza seduta 76 cm)

Codice	Base	Scocca	colli	m ³	Kg
		Polipropilene			
05CLN12	Alluminio verniciato in tinta con la seduta		1	0,44	

ogni collo contiene 2 sgabelli (Kg.15,4) / 1 sgabello (Kg.9,7)

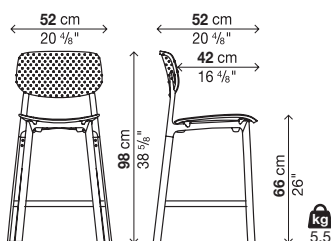
Optionals

Codice	Descrizione	Rivestimento										colli	m ³	Kg	
		A	B	C	D	E	F	G	H	L1	L2				L3
20LIR01	Cuscino rimovibile LIPS-R (non sfoderabile)			-	-	-	-	-	-	-	-	-	1	0,01	1
02PIE02	Set di piedini in feltro												-	-	-

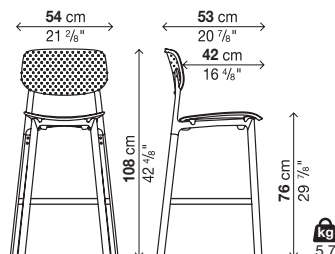
LIPS-R (20LIR01)



05CLN11



05CLN12



COLANDER LEGNO

Sedia

Finitura base:

Alluminio verniciato bianco (riferimento colore "Polipropilene bianco PP01")

Alluminio verniciato nero (riferimento colore "Polipropilene nero PP03")

Finitura scocca:

Legno effetto rovere europeo

Legno effetto noce

Legno effetto rovere tinto nero

Finitura rivestimento cuscino Lips:

A = COM (tessuto Cliente)

B = Field 2

Note:

PIEDINI:

Di serie in plastica dura. Su richiesta vengono forniti piedini con inserto in feltro per pavimenti in legno.

Per informazioni su composizioni tessuti vedi interno di copertina.

Per ordini COM/COL vedi interno di copertina.

Consumo cuscino Lips: 0,5 ml (H. 140 cm).

IMPILABILITÀ:

- Fino a 4 pz.

- Su carrello fino a 4 pz.

Imballi rinforzati vedi interno di copertina.

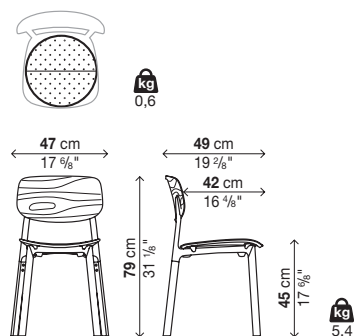
Codice	Base	Scocca			colli	m ³	Kg
		Rovere europeo	Noce	Rovere tinto nero			
05CLN31	Alluminio verniciato				1	0,35	

ogni collo contiene 4 sedie (Kg. 25,1) / 3 (Kg. 19,7) / 2 (Kg. 14,3) / 1 sedia (Kg. 8,9)

Optionals

Codice	Descrizione	Rivestimento										colli	m ³	Kg	
		A	B	C	D	E	F	G	H	L1	L2				L3
20LIR01	Cuscino rimovibile LIPS-R (non sfoderabile)			-	-	-	-	-	-	-	-	-	1	0,01	1
02PIE02	Set di piedini in feltro												-	-	-
20CAR03	Carrello trasporto sedie (acciaio verniciato nero)												1	0,12	19

LIPS-R (20LIR01)



COLANDER LEGNO

Sgabello

Finitura base:

Alluminio verniciato bianco (riferimento colore "Polipropilene bianco PP01")

Alluminio verniciato nero (riferimento colore "Polipropilene nero PP03")

Finitura scocca:

Legno effetto rovere europeo

Legno effetto noce

Legno effetto rovere tinto nero

Finitura rivestimento cuscino Lips:

A = COM (tessuto Cliente)

B = Field 2

Note:

PIEDINI:

Di serie in plastica dura. Su richiesta vengono forniti piedini con inserto in feltro per pavimenti in legno.

Per informazioni su composizioni tessuti vedi interno di copertina.

Per ordini COM/COL vedi interno di copertina.

Consumo cuscino Lips: 0,5 ml (H. 140 cm).

IMPILABILITÀ:

- Fino a 4 pz.

Imballi rinforzati vedi interno di copertina.

Sgabello basso (altezza seduta 66 cm)

Codice	Base	Scocca			colli	m ³	Kg
		Rovere europeo	Noce	Rovere tinto nero			
05CLN42	Alluminio verniciato				1	0,36	

ogni collo contiene 2 sgabelli (Kg. 17) / 1 sgabello (Kg. 10,5)

Sgabello alto (altezza seduta 76 cm)

Codice	Base	Scocca			colli	m ³	Kg
		Rovere europeo	Noce	Rovere tinto nero			
05CLN43	Alluminio verniciato				1	0,44	

ogni collo contiene 2 sgabelli (Kg. 17,4) / 1 sgabello (Kg. 10,7)

Optionals

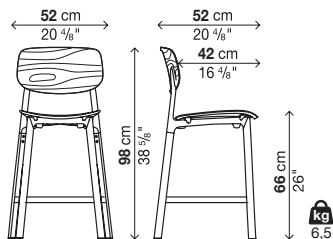
Codice	Descrizione	Rivestimento											colli	m ³	Kg
		A	B	C	D	E	F	G	H	L1	L2	L3			
20LIR01	Cuscino rimovibile LIPS-R (non sfoderabile)			-	-	-	-	-	-	-	-	-	1	0,01	1
02PIE02	Set di piedini in feltro												-	-	-

LIPS-R (20LIR01)

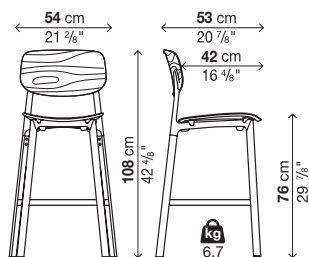


kg
0,6

05CLN42



05CLN43



COLANDER IMBOTTITA

Sedia

Finitura base:

Alluminio verniciato bianco (riferimento colore "Polipropilene bianco PP01")
 Alluminio verniciato nero (riferimento colore "Polipropilene nero PP03")
 Alluminio verniciato beige (riferimento colore "Polipropilene beige PP05")
 Alluminio verniciato rosso corallo (riferimento colore "Polipropilene rosso corallo PP07")
 Alluminio verniciato grigio basalto (riferimento colore "Polipropilene grigio basalto PP10")
 Alluminio verniciato grigio chiaro (riferimento colore "Polipropilene grigio chiaro PP11")
 Alluminio verniciato giallo zinco (riferimento colore "Polipropilene giallo zinco PP12")
 Alluminio verniciato verde prato (riferimento colore "Polipropilene verde prato PP13")

Finitura rivestimento:

A = Valencia (pelle sintetica)
 B = Field 2, COM (tessuto Cliente)
 C = Merit, COL (pelle Cliente)
 D = Clara 2, Patio, Regal, Remix 2
 E = Curmi, Hero, Melange Nap
 F = Canvas 2, Scuba, Steelcut Trio 3
 G = Divina Melange 3, Hallingdal 65
 H = Twill Weave

Note:

Seduta con rivestimento NON sfoderabile.

Per informazioni su composizioni tessuti vedi interno di copertina.

Per ordini COM/COL vedi interno di copertina.

Consumo COM: 0,6 mq (H. 140 cm).
 Consumo COL: 0,8 mq.

PIEDINI:

Di serie in plastica dura. Su richiesta vengono forniti piedini con inserto in feltro per pavimenti in legno.

Seduta NON impilabile.

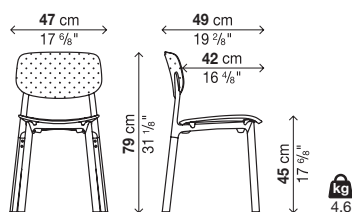
Imballi rinforzati vedi interno di copertina.

Codice	Base	Rivestimento											colli	m ³	Kg		
		A	B	C	D	E	F	G	H	L1	L2	L3					
05CLN04	Alluminio verniciato												-	-	-	1	0,21

ogni collo contiene 2 sedie (Kg. 12,2) / 1 sedia (Kg. 7,6)

Optionals

Codice	Descrizione	colli	m ³	Kg
02PIE02	Set di piedini in feltro	-	-	-



COLANDER IMBOTTITA

Sgabello

Finitura base:

- Alluminio verniciato bianco (riferimento colore "Polipropilene bianco PP01")
- Alluminio verniciato nero (riferimento colore "Polipropilene nero PP03")
- Alluminio verniciato beige (riferimento colore "Polipropilene beige PP05")
- Alluminio verniciato rosso corallo (riferimento colore "Polipropilene rosso corallo PP07")
- Alluminio verniciato grigio basalto (riferimento colore "Polipropilene grigio basalto PP10")
- Alluminio verniciato grigio chiaro (riferimento colore "Polipropilene grigio chiaro PP11")
- Alluminio verniciato giallo zinco (riferimento colore "Polipropilene giallo zinco PP12")
- Alluminio verniciato verde prato (riferimento colore "Polipropilene verde prato PP13")

Finitura rivestimento:

- A = Valencia (pelle sintetica)
- B = Field 2, COM (tessuto Cliente)
- C = Merit, COL (pelle Cliente)
- D = Clara 2, Patio, Regal, Remix 2
- E = Curmi, Hero, Melange Nap
- F = Canvas 2, Scuba, Steelcut Trio 3
- G = Divina Melange 3, Hallingdal 65
- H = Twill Weave

Note:

Seduta con rivestimento NON sfoderabile.

Per informazioni su composizioni tessuti vedi interno di copertina.

Per ordini COM/COL vedi interno di copertina.

Consumo COM: 0,6 ml (H. 140 cm).
Consumo COL: 0,8 mq.

PIEDINI:

Di serie in plastica dura. Su richiesta vengono forniti piedini con inserto in feltro per pavimenti in legno.

Seduta NON impilabile.

Imballi rinforzati vedi interno di copertina.

Sgabello basso (altezza seduta 66 cm)

Codice	Base	Rivestimento											colli	m ³	Kg			
		A	B	C	D	E	F	G	H	L1	L2	L3						
05CLN13	Alluminio verniciato												-	-	-	1	0,44	9,7

ogni collo contiene 1 sgabello

Sgabello alto (altezza seduta 76 cm)

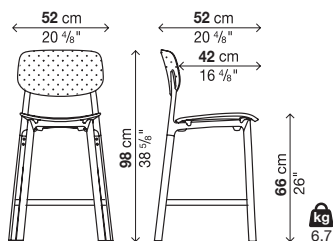
Codice	Base	Rivestimento											colli	m ³	Kg			
		A	B	C	D	E	F	G	H	L1	L2	L3						
05CLN14	Alluminio verniciato												-	-	-	1	0,44	10

ogni collo contiene 1 sgabello

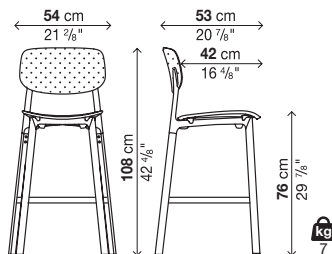
Optionals

Codice	Descrizione	colli	m ³	Kg
02PIE02	Set di piedini in feltro	-	-	-

05CLN13



05CLN14



COLANDER

Stuhl

Ausführung Gestell:

Lackiertes Aluminium im Farbton der Sitzfläche

Ausführung Aufbau:

Polypropylen Weiß (PP01)
 Polypropylen Schwarz (PP03)
 Polypropylen Beige (PP05)
 Polypropylen Rot Koralle (PP07)
 Polypropylen Basaltgrau (PP10)
 Polypropylen Hellgrau (PP11)
 Polypropylen Zinkgelb (PP12)
 Polypropylen Grasgrün (PP13)

Ausführung Kissen Lips:

A = COM (Kundenstoff)
 B = Field 2

Anmerkung:

FÜßE:
 Standard in Hartplastik. Auf Wunsch liefern wir Füße mit Filzeinlage für Holzböden.

Für Informationen zur Zusammensetzung der Stoffe siehe Innenseite des Umschlags.

Für Aufträge mit COM/COL siehe Innenseite des Umschlags.

Verbrauch Kissen Lips: 0,5 ml (H. 140 cm).

STAPELBARKEIT:

- Bis zu etwas 10 St.
 - Bei Stuhlkarre bis zu 12 St.

Für verstärkte Verpackungen siehe Innenseite des Umschlags.

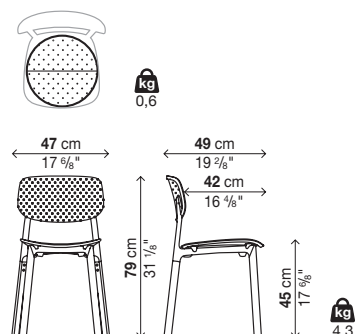
Art.-Nr.	Gestell	Aufbau	kolli	m³	Kg
		Polypropylen			
05CLN01	Lackiertes Aluminium im Farbton der Sitzfläche		1	0,35	

jedes Frachtstück beinhaltet 4 Stühle (Kg. 20,7) / 3 (Kg. 16,4) / 2 (Kg. 12,1) / 1 Stuhl (Kg. 7,8)

Optionen

Art.-Nr.	Beschreibung	Bezug											kolli	m³	Kg			
		A	B	C	D	E	F	G	H	L1	L2	L3						
20LIR01	Abnehmbares Kissen LIPS-R (nicht abziehbar)			-	-	-	-	-	-	-	-	-	-	-	-	1	0,01	1
02PIE02	Set Filzfüße															-	-	-
20CAR03	Stuhlkarre (Stahl lackiert in schwarz)															1	0,12	19

LIPS-R (20LIR01)



COLANDER

Hocker

Ausführung Gestell:

Lackiertes Aluminium im Farbton der Sitzfläche

Ausführung Aufbau:

Polypropylen Weiß (PP01)
 Polypropylen Schwarz (PP03)
 Polypropylen Beige (PP05)
 Polypropylen Rot Koralle (PP07)
 Polypropylen Basaltgrau (PP10)
 Polypropylen Hellgrau (PP11)
 Polypropylen Zinkgelb (PP12)
 Polypropylen Grasgrün (PP13)

Ausführung Kissen Lips:

A = COM (Kundenstoff)
 B = Field 2

Anmerkung:

FÜßE:
 Standard in Hartplastik. Auf Wunsch liefern wir Füße mit Filzeinlage für Holzböden.

Für Informationen zur Zusammensetzung der Stoffe siehe Innenseite des Umschlags.

Für Aufträge mit COM/COL siehe Innenseite des Umschlags.

Verbrauch Kissen Lips: 0,5 ml (H. 140 cm).

STAPELBARKEIT:

- Bis zu etwas 6 St.

Für verstärkte Verpackungen siehe Innenseite des Umschlags.

Niedriger Hocker (Sitzhöhe 66 cm)

Art.-Nr.	Gestell	Aufbau	koli	m³	Kg
		Polypropylen			
05CLN11	Lackiertes Aluminium im Farbton der Sitzfläche		1	0,36	

jedes Frachtstück beinhaltet 2 Hocker (Kg.15) / 1 Hocker (Kg.9,5)

Hoher Hocker (Sitzhöhe 76 cm)

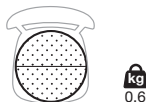
Art.-Nr.	Gestell	Aufbau	koli	m³	Kg
		Polypropylen			
05CLN12	Lackiertes Aluminium im Farbton der Sitzfläche		1	0,44	

jedes Frachtstück beinhaltet 2 Hocker (Kg.15,4) / 1 Hocker (Kg.9,7)

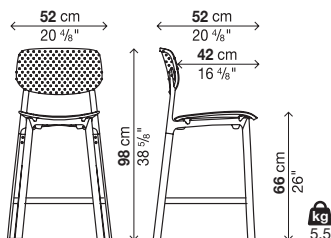
Optionen

Art.-Nr.	Beschreibung	Bezug											koli	m³	Kg		
		A	B	C	D	E	F	G	H	L1	L2	L3					
20LIR01	Abnehmbares Kissen LIPS-R (nicht abziehbar)			-	-	-	-	-	-	-	-	-	-	-	1	0,01	1
02PIE02	Set Filzfüße														-	-	-

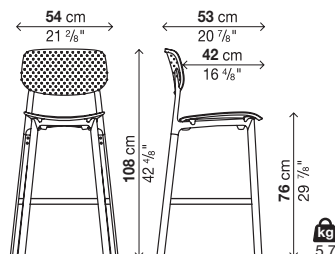
LIPS-R (20LIR01)



05CLN11



05CLN12



COLANDER HOLZ

Stuhl

Ausführung Gestell:

Weiß lackiertes Aluminium (farbähnlich wie "Polypropylen Weiß PP01")
Schwarz lackiertes Aluminium (farbähnlich wie "Polypropylen Schwarz PP03")

Ausführung Aufbau:

Holz, Effekt europäische Eiche
Holz, Effekt Nussbaum
Holz, Effekt Eiche Farbe Schwarz

Ausführung Kissen Lips:

A = COM (Kundenstoff)
B = Field 2

Anmerkung:

FÜßE:
Standard in Hartplastik. Auf Wunsch liefern wir Füße mit Filzeinlage für Holzböden.

Für Informationen zur Zusammensetzung der Stoffe siehe Innenseite des Umschlags.

Für Aufträge mit COM/COL siehe Innenseite des Umschlags.

Verbrauch Kissen Lips: 0,5 ml (H. 140 cm).

STAPELBARKEIT:

- Bis zu etwas 4 St.
- Bei Stuhlkarre bis zu 4 St.

Für verstärkte Verpackungen siehe Innenseite des Umschlags.

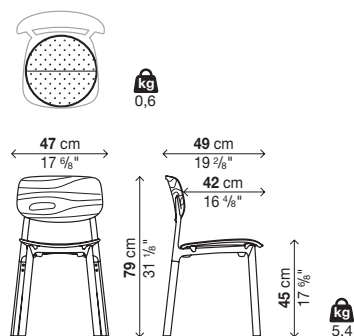
Art.-Nr.	Gestell	Aufbau			koli	m ³	Kg
		Europäische Eiche	Nussbaum	Schwarze Eiche			
05CLN31	Aluminium lackiert				1	0,35	

jedes Frachtstück beinhaltet 4 Stühle (Kg. 25,1) / 3 (Kg. 19,7) / 2 (Kg. 14,3) / 1 Stuhl (Kg. 8,9)

Optionen

Art.-Nr.	Beschreibung	Bezug											koli	m ³	Kg
		A	B	C	D	E	F	G	H	L1	L2	L3			
20LIR01	Abnehmbares Kissen LIPS-R (nicht abziehbar)			-	-	-	-	-	-	-	-	-	1	0,01	1
02PIE02	Set Filzfüße												-	-	-
20CAR03	Stuhlkarre (Stahl lackiert in schwarz)												1	0,12	19

LIPS-R (20LIR01)



COLANDER HOLZ

Hocker

Ausführung Gestell:

Weiß lackiertes Aluminium (farbähnlich wie "Polypropylen Weiß PP01")

Schwarz lackiertes Aluminium (farbähnlich wie "Polypropylen Schwarz PPO3")

Ausführung Aufbau:

Holz, Effekt europäische Eiche

Holz, Effekt Nussbaum

Holz, Effekt Eiche Farbe Schwarz

Ausführung Kissen Lips:

A = COM (Kundenstoff)

B = Field 2

Anmerkung:

FÜßE:

Standard in Hartplastik. Auf Wunsch liefern wir Füße mit Filzeinlage für Holzböden.

Für Informationen zur Zusammensetzung der Stoffe siehe Innenseite des Umschlags.

Für Aufträge mit COM/COL siehe Innenseite des Umschlags.

Verbrauch Kissen Lips: 0,5 ml (H. 140 cm).

STAPELBARKEIT:

- Bis zu etwas 4 St.

Für verstärkte Verpackungen siehe Innenseite des Umschlags.

Niedriger Hocker (Sitzhöhe 66 cm)

Art.-Nr.	Gestell	Aufbau			koli	m ³	Kg
		Europäische Eiche	Nussbaum	Schwarze Eiche			
05CLN42	Aluminium lackiert				1	0,36	

jedes Frachtstück beinhaltet 2 Hocker (Kg. 17) / 1 Hocker (Kg. 10,5)

Hoher Hocker (Sitzhöhe 76 cm)

Art.-Nr.	Gestell	Aufbau			koli	m ³	Kg
		Europäische Eiche	Nussbaum	Schwarze Eiche			
05CLN43	Aluminium lackiert				1	0,44	

jedes Frachtstück beinhaltet 2 Hocker (Kg. 17,4) / 1 Hocker (Kg. 10,7)

Optionen

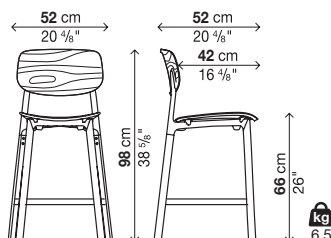
Art.-Nr.	Beschreibung	Bezug											koli	m ³	Kg	
		A	B	C	D	E	F	G	H	L1	L2	L3				
20LIR01	Abnehmbares Kissen LIPS-R (nicht abziehbar)			-	-	-	-	-	-	-	-	-	-	1	0,01	1
02PIE02	Set Filzfüße													-	-	-

LIPS-R (20LIR01)

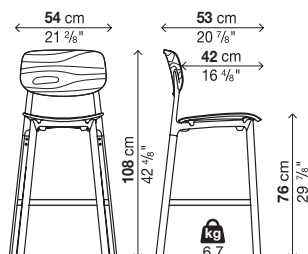


kg
0,6

05CLN42



05CLN43



COLANDER GEPOLSTERT

Stuhl

Ausführung Gestell:

Weiß lackiertes Aluminium (farbähnlich wie "Polypropylen Weiß PP01")
 Schwarz lackiertes Aluminium (farbähnlich wie "Polypropylen Schwarz PP03")
 Beige lackiertes Aluminium (farbähnlich wie "Polypropylen Beige PP05")
 Korallrot lackiertes Aluminium (farbähnlich wie "Polypropylen Korallrot PP07")
 Basaltgrau lackiertes Aluminium (farbähnlich wie "Polypropylen Basaltgrau PP10")
 Hellgrau lackiertes Aluminium (farbähnlich wie "Polypropylen Hellgrau PP11")
 Zinkgelb lackiertes Aluminium (farbähnlich wie "Polypropylen Zinkgelb PP12")
 Grasgrün lackiertes Aluminium (farbähnlich wie "Polypropylen Grasgrün PP12")

Ausführung des Bezugs:

A = Valencia (Synthetische Leder)
 B = Field 2, COM (Kundenstoff)
 C = Merit, COL (Kundenleder)
 D = Clara 2, Patio, Regal, Remix 2
 E = Curmi, Hero, Melange Nap
 F = Canvas 2, Scuba, Steelcut Trio 3
 G = Divina Melange 3, Hallingdal 65
 H = Twill Weave

Anmerkung:

Sitzfläche mit NICHT abziehbaren Bezug.

Für Informationen zur Zusammensetzung der Stoffe siehe Innenseite des Umschlags.

Für Aufträge mit COM/COL siehe Innenseite des Umschlags.

Verbrauch COM: 0,6 ml (H. 140 cm).

Verbrauch COL: 0,8 mq.

FÜßE:

Standard in Hartplastik. Auf Wunsch liefern wir Füße mit Filzeinlage für Holzböden.

NICHT stapelbar.

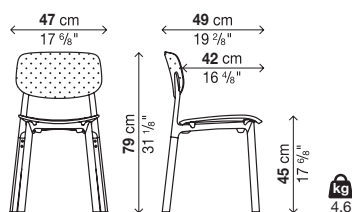
Für verstärkte Verpackungen siehe Innenseite des Umschlags.

Art.-Nr.	Gestell	Bezug										kolli	m ³	Kg		
		A	B	C	D	E	F	G	H	L1	L2				L3	
05CLN04	Aluminium lackiert											-	-	-	1	0,21

jedes Frachtstück beinhaltet 2 Stühle (Kg. 12,2) / 1 Stuhl (Kg. 7,6)

Optionen

Art.-Nr.	Beschreibung	kolli	m ³	Kg
02PIE02	Set Filzfüße	-	-	-



COLANDER GEPOLSTERT

Hocker

Ausführung Gestell:

- Weiß lackiertes Aluminium (farbähnlich wie "Polypropylen Weiß PP01")
- Schwarz lackiertes Aluminium (farbähnlich wie "Polypropylen Schwarz PPO3")
- Beige lackiertes Aluminium (farbähnlich wie "Polypropylen Beige PP05")
- Korallrot lackiertes Aluminium (farbähnlich wie "Polypropylen Korallrot PP07")
- Basaltgrau lackiertes Aluminium (farbähnlich wie "Polypropylen Basaltgrau PP10")
- Hellgrau lackiertes Aluminium (farbähnlich wie "Polypropylen Hellgrau PP11")
- Zinkgelb lackiertes Aluminium (farbähnlich wie "Polypropylen Zinkgelb PP12")
- Grasgrün lackiertes Aluminium (farbähnlich wie "Polypropylen Grasgrün PP12")

Ausführung des Bezugs:

- A = Valencia (Synthetische Leder)
- B = Field 2, COM (Kundenstoff)
- C = Merit, COL (Kundenleder)
- D = Clara 2, Patio, Regal, Remix 2
- E = Curmi, Hero, Melange Nap
- F = Canvas 2, Scuba, Steelcut Trio 3
- G = Divina Melange 3, Hallingdal 65
- H = Twill Weave

Anmerkung:

Sitzfläche mit NICHT abziehbaren Bezug.

Für Informationen zur Zusammensetzung der Stoffe siehe Innenseite des Umschlags.

Für Aufträge mit COM/COL siehe Innenseite des Umschlags.

Verbrauch COM: 0,6 ml (H. 140 cm).

Verbrauch COL: 0,8 mq.

FÜßE:

Standard in Hartplastik. Auf Wunsch liefern wir Füße mit Filzeinlage für Holzböden.

NICHT stapelbar.

Für verstärkte Verpackungen siehe Innenseite des Umschlags.

Niedriger Hocker (Sitzhöhe 66 cm)

Art.-Nr.	Gestell	Bezug											kolli	m ³	Kg			
		A	B	C	D	E	F	G	H	L1	L2	L3						
05CLN13	Aluminium lackiert												-	-	-	1	0,44	9,7

Ein Hocker pro Frachtstück

Hoher Hocker (Sitzhöhe 76 cm)

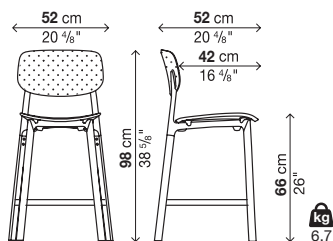
Art.-Nr.	Gestell	Bezug											kolli	m ³	Kg			
		A	B	C	D	E	F	G	H	L1	L2	L3						
05CLN14	Aluminium lackiert												-	-	-	1	0,44	10

Ein Hocker pro Frachtstück

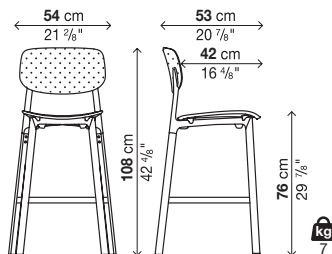
Optionen

Art.-Nr.	Beschreibung	kolli	m ³	Kg
02PIE02	Set Filzfüße	-	-	-

05CLN13



05CLN14



COLANDER

Chaise

Finition piètement:

Aluminium laqué en teinte coordonnée à l'assise

Finition coque:

Polypropylène blanc (PP01)
 Polypropylène noir (PP03)
 Polypropylène beige (PP05)
 Polypropylène rouge corail (PP07)
 Polypropylène gris basalte (PP10)
 Polypropylène gris clair (PP11)
 Polypropylène jaune zinc (PP12)
 Polypropylène vert pré (PP13)

Finition revêtement coussin Lips:

A = COM (tissu Client)
 B = Field 2

Notes:

PIEDS:

Standard en plastique dur. Sur demande, nous fournissons des pieds avec insert en feutre pour sols en bois.

Pour toute information sur les compositions des tissus, voir intérieur de la couverture.

Pour les commandes COM/COL, voir intérieur de la couverture.

Consommation coussin Lips: 0,5 ml (H. 140 cm).

GERBABILITÉ:

- Allant jusqu'à 10 pz.
 - Sur le chariot allant jusqu'à 12 pz.

Emballages renforcés, voir intérieur de la couverture.

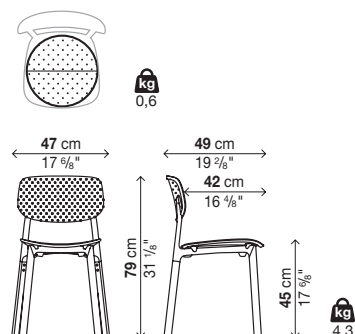
Code	Piètement	Coque	
		colis	m ³ Kg
		Polypropylène	
05CLN01	Aluminium laqué en teinte coordonnée à l'assise	1	0,35

chaque colis 4 chaises (Kg. 20,7) / 3 (Kg. 16,4) / 2 (Kg. 12,1) / 1 chaise (Kg. 7,8)

Optionals

Code	Description	Revêtement											colis	m ³	Kg		
		A	B	C	D	E	F	G	H	L1	L2	L3					
20LIR01	Coussin amovible LIPS-R (non déhoussable)			-	-	-	-	-	-	-	-	-	-	-	1	0,01	1
02PIE02	Lot de patins en feutre														-	-	-
20CAR03	Chariot pour transport chaises (acier laqué noir)														1	0,12	19

LIPS-R (20LIR01)



COLANDER

Tabouret

Finition piètement:

Aluminium laqué en teinte coordonnée à l'assise

Finition coque:

Polypropylène blanc (PP01)
 Polypropylène noir (PP03)
 Polypropylène beige (PP05)
 Polypropylène rouge corail (PP07)
 Polypropylène gris basalte (PP10)
 Polypropylène gris clair (PP11)
 Polypropylène jaune zinc (PP12)
 Polypropylène vert pré (PP13)

Finition revêtement coussin Lips:

A = COM (tissu Client)
 B = Field 2

Notes:

PIEDS:
 Standard en plastique dur. Sur demande, nous fournissons des pieds avec insert en feutre pour sols en bois.

Pour toute information sur les compositions des tissus, voir intérieur de la couverture.

Pour les commandes COM/COL, voir intérieur de la couverture.

Consommation coussin Lips: 0,5 ml (H. 140 cm).

GERBABILITÉ:
 - Allant jusqu'à 6 pz.

Emballages renforcés, voir intérieur de la couverture.

Tabouret bas (hauteur assise 66 cm)

Code	Piètement	Coque	
		colis	m ³ Kg
		Polypropylène	
05CLN11	Aluminium laqué en teinte coordonnée à l'assise	1	0,36

chaque colis contient 2 tabourets (Kg.15) / 1 tabouret (Kg.9,5)

Tabouret haut (hauteur assise 76 cm)

Code	Piètement	Coque	
		colis	m ³ Kg
		Polypropylène	
05CLN12	Aluminium laqué en teinte coordonnée à l'assise	1	0,44

chaque colis contient 2 tabourets (Kg.15,4) / 1 tabouret (Kg.9,7)

Optionals

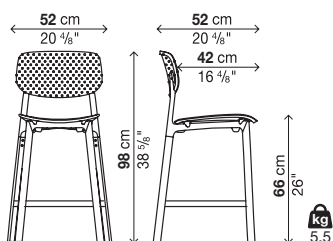
Code	Description	Revêtement										colis	m ³	Kg	
		A	B	C	D	E	F	G	H	L1	L2				L3
20LIR01	Coussin amovible LIPS-R (non déhoussable)			-	-	-	-	-	-	-	-	-	1	0,01	1
02PIE02	Lot de patins en feutre												-	-	-

LIPS-R (20LIR01)

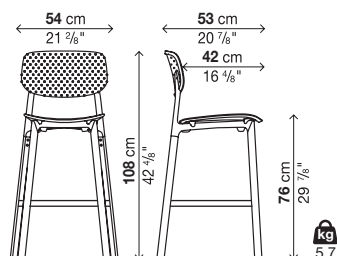


kg
0,6

05CLN11



05CLN12



COLANDER BOIS

Chaise

Finition piètement:

Aluminium laqué blanc (reference couleur "Polypropylène blanc PP01")

Aluminium laqué noir (reference couleur "Polypropylène noir PP03")

Finition coque:

Bois aspect chêne européen

Bois aspect noyer

Bois aspect chêne teinté noir

Finition revêtement coussin Lips:

A = COM (tissu Client)

B = Field 2

Notes:

PIEDS:

Standard en plastique dur. Sur demande, nous fournissons des pieds avec insert en feutre pour sols en bois.

Pour toute information sur les compositions des tissus, voir intérieur de la couverture.

Pour les commandes COM/COL, voir intérieur de la couverture.

Consommation coussin Lips: 0,5 ml (H. 140 cm).

GERBABILITÉ:

- Allant jusqu'à 4 pz.

- Sur le chariot allant jusqu'à 4 pz.

Emballages renforcés, voir intérieur de la couverture.

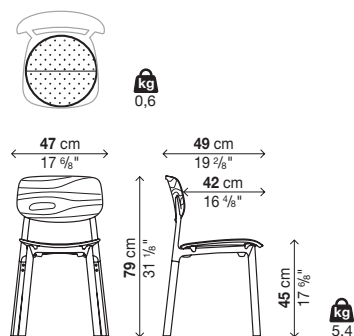
Code	Piètement	Coque			colis	m ³	Kg
		Chêne européen	Noyer	Chêne noir			
05CLN31	Aluminium laqué				1	0,35	

chaque colis 4 chaises (Kg. 25,1) / 3 (Kg. 19,7) / 2 (Kg. 14,3) / 1 chaise (Kg. 8,9)

Optionals

Code	Description	Revêtement										colis	m ³	Kg	
		A	B	C	D	E	F	G	H	L1	L2				L3
20LIR01	Coussin amovible LIPS-R (non déhoussable)			-	-	-	-	-	-	-	-	-	1	0,01	1
02PIE02	Lot de patins en feutre												-	-	-
20CAR03	Chariot pour transport chaises (acier laqué noir)												1	0,12	19

LIPS-R (20LIR01)



COLANDER BOIS

Tabouret

Finition piètement:

Aluminium laqué blanc (reference couleur "Polypropylène blanc PP01")
Aluminium laqué noir (reference couleur "Polypropylène noir PP03")

Finition coque:

Bois aspect chêne européen
Bois aspect noyer
Bois aspect chêne teinté noir

Finition revêtement coussin Lips:

A = COM (tissu Client)
B = Field 2

Notes:

PIEDS:
Standard en plastique dur. Sur demande, nous fournissons des pieds avec insert en feutre pour sols en bois.

Pour toute information sur les compositions des tissus, voir intérieur de la couverture.

Pour les commandes COM/COL, voir intérieur de la couverture.

Consommation coussin Lips: 0,5 ml (H. 140 cm).

GERBABILITÉ:
- Allant jusqu'à 4 pz.

Emballages renforcés, voir intérieur de la couverture.

Tabouret bas (hauteur assise 66 cm)

Code	Piètement	Coque			colis	m ³	Kg
		Chêne européen	Noyer	Chêne noir			
05CLN42	Aluminium laqué				1	0,36	

chaque colis contient 2 tabourets (Kg. 17) / 1 tabouret (Kg. 10,5)

Tabouret haut (hauteur assise 76 cm)

Code	Piètement	Assise and back			colis	m ³	Kg
		Chêne européen	Noyer	Chêne noir			
05CLN43	Aluminium laqué				1	0,44	

chaque colis contient 2 tabourets (Kg. 17,4) / 1 tabouret (Kg. 10,7)

Optionals

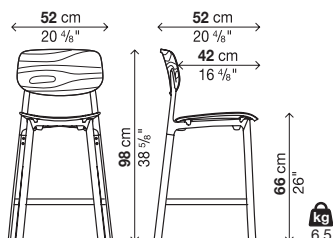
Code	Description	Revêtement											colis	m ³	Kg
		A	B	C	D	E	F	G	H	L1	L2	L3			
20LIR01	Coussin amovible LIPS-R (non déhoussable)			-	-	-	-	-	-	-	-	-	1	0,01	1
02PIE02	Lot de patins en feutre												-	-	-

LIPS-R (20LIR01)

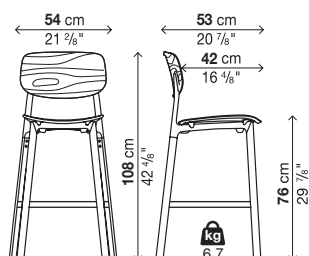


kg
0,6

05CLN42



05CLN43



COLANDER TISSU

Chaise

Finition piètement:

Aluminium laqué blanc (reference couleur "Polypropylène blanc PP01")
 Aluminium laqué noir (reference couleur "Polypropylène noir PP03")
 Aluminium laqué beige (reference couleur "Polypropylène beige PP05")
 Aluminium laqué rouge corail (reference couleur "Polypropylène rouge corail PP07")
 Aluminium laqué gris basalte (reference couleur "Polypropylène gris basalte PP10")
 Aluminium laqué gris clair (reference couleur "Polypropylène gris clair PP11")
 Aluminium laqué jaune zinc (reference couleur "Polypropylène jaune zinc PP12")
 Aluminium laqué vert pré (reference couleur "Polypropylène vert pré PP13")

Finition du revêtement:

A = Valencia (cuir synthétique)
 B = Field 2, COM (tissu Client)
 C = Merit, COL (cuir du Client)
 D = Clara 2, Patio, Regal, Remix 2
 E = Curmi, Hero, Melange Nap
 F = Canvas 2, Scuba, Steelcut Trio 3
 G = Divina Melange 3, Hallingdal 65
 H = Twill Weave

Notes:

Siège avec revêtement NON déhoussable.

Pour toute information sur les compositions des tissus, voir intérieur de la couverture.

Pour les commandes COM/COL, voir intérieur de la couverture.

Consommation COM: 0,6 ml (H. 140 cm).
 Consommation COL: 0,8 mq.

PIEDS:

Standard en plastique dur. Sur demande, nous fournissons des pieds avec insert en feutre pour sols en bois.

Siège NON empilable.

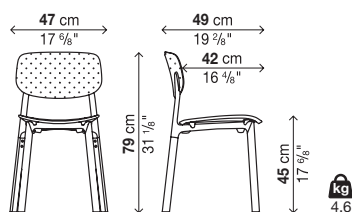
Emballages renforcés, voir intérieur de la couverture.

Code	Piètement	Revêtement											colis	m ³	Kg		
		A	B	C	D	E	F	G	H	L1	L2	L3					
05CLN04	Aluminium laqué												-	-	-	1	0,21

chaque colis 2 chaises (Kg. 12,2) / 1 chaise (Kg. 7,6)

Optionals

Code	Description	colis	m ³	Kg
02PIE02	Lot de patins en feutre	-	-	-



COLANDER TISSU

Tabouret

Finition piètement:

- Aluminium laqué blanc (reference couleur "Polypropylène blanc PP01")
- Aluminium laqué noir (reference couleur "Polypropylène noir PP03")
- Aluminium laqué beige (reference couleur "Polypropylène beige PP05")
- Aluminium laqué rouge corail (reference couleur "Polypropylène rouge corail PP07")
- Aluminium laqué gris basalte (reference couleur "Polypropylène gris basalte PP10")
- Aluminium laqué gris clair (reference couleur "Polypropylène gris clair PP11")
- Aluminium laqué jaune zinc (reference couleur "Polypropylène jaune zinc PP12")
- Aluminium laqué vert pré (reference couleur "Polypropylène vert pré PP13")

Finition du revêtement:

- A = Valencia (cuir synthétique)
- B = Field 2, COM (tissu Client)
- C = Merit, COL (cuir du Client)
- D = Clara 2, Patio, Regal, Remix 2
- E = Curmi, Hero, Melange Nap
- F = Canvas 2, Scuba, Steelcut Trio 3
- G = Divina Melange 3, Hallingdal 65
- H = Twill Weave

Notes:

Siège avec revêtement NON déhoussable.

Pour toute information sur les compositions des tissus, voir intérieur de la couverture.

Pour les commandes COM/COL, voir intérieur de la couverture.

Consommation COM: 0,6 ml (H. 140 cm).

Consommation COL: 0,8 mq.

PIEDS:

Standard en plastique dur. Sur demande, nous fournissons des pieds avec insert en feutre pour sols en bois.

Siège NON empilable.

Emballages renforcés, voir intérieur de la couverture.

Tabouret bas (hauteur assise 66 cm)

Code	Piètement	Revêtement											colis	m ³	Kg			
		A	B	C	D	E	F	G	H	L1	L2	L3						
05CLN13	Aluminium laqué												-	-	-	1	0,44	9,7

chaque colis 1 tabouret

Tabouret haut (hauteur assise 76 cm)

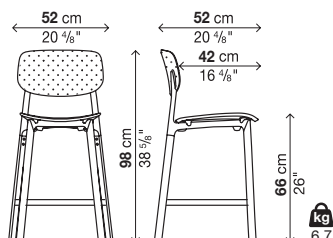
Code	Piètement	Revêtement											colis	m ³	Kg			
		A	B	C	D	E	F	G	H	L1	L2	L3						
05CLN14	Aluminium laqué												-	-	-	1	0,44	10

chaque colis 1 tabouret

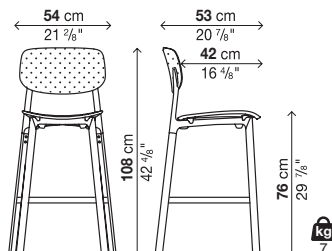
Optionals

Code	Description	colis	m ³	Kg
02PIE02	Lot de patins en feutre	-	-	-

05CLN13



05CLN14



COLANDER

Silla

Acabado base:

Aluminio barnizado a juego con el asiento

Acabado asiento:

Polipropileno blanco (PP01)
 Polipropileno negro (PP03)
 Polipropileno beige (PP05)
 Polipropileno coral rojo (PP07)
 Polipropileno gris basalto (PP10)
 Polipropileno gris claro (PP11)
 Polipropileno amarillo cinc (PP12)
 Polipropileno verde prado (PP13)

Acabado revestimiento cojín Lips:

A = COM (tejido Cliente)
 B = Field 2

Notas:

PATAS:

Estándar en plástico duro. Bajo pedido se suministran pies con inserto de fieltro para pisos de madera.

Para obtener información sobre las composiciones de los tejidos, ver lado interno de la portada.

Para pedidos COM/COL ver lado interno de la portada.

Consumo cojín Lips: 0,5 ml (H. 140 cm).

APILAR:

- Hasta 10 pza.
 - En carro hasta 12 pza.

Embalajes reforzados, ver lado interno de la portada.

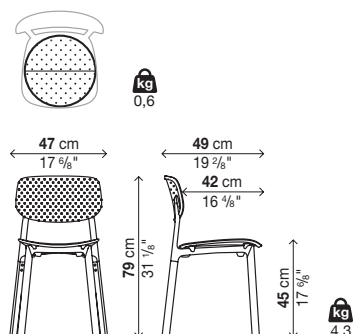
Código	Base	Asiento										pack	m ³	Kg
		Polipropileno												
05CLN01	Aluminio barnizado a juego con el asiento											1	0,35	

cada bulto contiene 4 sillas (Kg. 20,7) / 3 (Kg. 16,4) / 2 (Kg. 12,1) / 1 silla (Kg. 7,8)

Opcionales

Código	Descripción	Revestimiento											pack	m ³	Kg	
		A	B	C	D	E	F	G	H	L1	L2	L3				
20LIR01	Cojín extraíble LIPS-R (no desenfundable)			-	-	-	-	-	-	-	-	-	-	1	0,01	1
02PIE02	Juego de almohadillas de fieltro													-	-	-
20CAR03	Carro de transporte sillas (acero barnizado negro)													1	0,12	19

LIPS-R (20LIR01)



COLANDER

Taburete

Acabado base:

Aluminio barnizado a juego con el asiento

Acabado asiento:

Polipropileno blanco (PP01)
 Polipropileno negro (PP03)
 Polipropileno beige (PP05)
 Polipropileno coral rojo (PP07)
 Polipropileno gris basalto (PP10)
 Polipropileno gris claro (PP11)
 Polipropileno amarillo cinc (PP12)
 Polipropileno verde prado (PP13)

Acabado revestimiento cojín Lips:

A = COM (tejido Cliente)
 B = Field 2

Notas:

PATAS:

Estándar en plástico duro. Bajo pedido se suministran pies con inserto de fieltro para pisos de madera.

Para obtener información sobre las composiciones de los tejidos, ver lado interno de la portada.

Para pedidos COM/COL ver lado interno de la portada.

Consumo cojín Lips: 0,5 ml (H. 140 cm).

APILAR:

- Hasta 6 pza.

Embalajes reforzados, ver lado interno de la portada.

Taburete bajo (altura asiento 66 cm)

Código	Base	Asiento	
		pack	m ³ Kg
		Polipropileno	
05CLN11	Aluminio barnizado a juego con el asiento	1	0,36

cada bulto contiene 2 taburetes (Kg.15) / 1 taburete (Kg.9,5)

Taburete alto (altura asiento 76 cm)

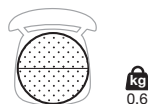
Código	Base	Asiento	
		pack	m ³ Kg
		Polipropileno	
05CLN12	Aluminio barnizado a juego con el asiento	1	0,44

cada bulto contiene 2 taburetes (Kg.15,4) / 1 taburete (Kg.9,7)

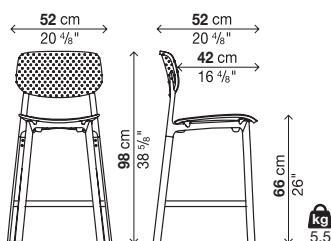
Opcionales

Código	Descripción	Revestimiento											pack	m ³	Kg	
		A	B	C	D	E	F	G	H	L1	L2	L3				
20LIR01	Cojín extraíble LIPS-R (no desenfundable)			-	-	-	-	-	-	-	-	-	-	1	0,01	1
02PIE02	Juego de almohadillas de fieltro													-	-	-

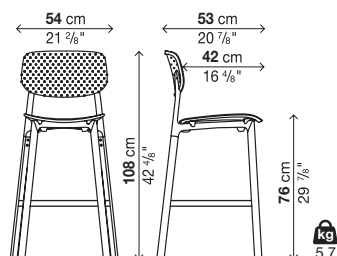
LIPS-R (20LIR01)



05CLN11



05CLN12



COLANDER MADERA

Silla

Acabado base:

Aluminio barnizado blanco (para referencia color ver "Polipropileno blanco PP01")

Aluminio barnizado negro (para referencia color ver "Polipropileno negro PP03")

Acabado asiento:

Madera efecto roble europeo

Madera efecto nogal

Madera efecto roble teñido negro

Acabado revestimiento cojín Lips:

A = COM (tejido Cliente)

B = Field 2

Notas:

PATAS:

Estándar en plástico duro. Bajo pedido se suministran pies con inserto de fieltro para pisos de madera.

Para obtener información sobre las composiciones de los tejidos, ver lado interno de la portada.

Para pedidos COM/COL ver lado interno de la portada.

Consumo cojín Lips: 0,5 ml (H. 140 cm).

APILAR:

- Hasta 4 pza.

- En carro hasta 4 pza.

Embalajes reforzados, ver lado interno de la portada.

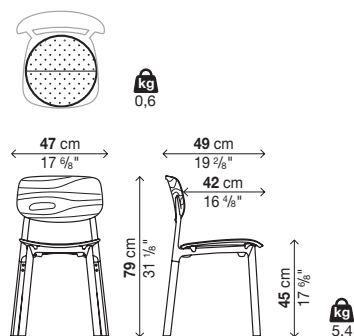
Código	Base	Asiento			pack	m ³	Kg
		Roble europeo	Nogal	Roble negro			
05CLN31	Aluminio barnizado				1	0,35	

cada bulto contiene 4 sillas (Kg. 25,1) / 3 (Kg. 19,7) / 2 (Kg. 14,3) / 1 silla (Kg. 8,9)

Opcionales

Código	Descripción	Revestimiento										pack	m ³	Kg	
		A	B	C	D	E	F	G	H	L1	L2				L3
20LIR01	Cojín extraíble LIPS-R (no desenfundable)			-	-	-	-	-	-	-	-	-	1	0,01	1
02PIE02	Juego de almohadillas de fieltro												-	-	-
20CAR03	Carro de transporte sillas (acero barnizado negro)												1	0,12	19

LIPS-R (20LIR01)



COLANDER MADERA

Taburete

Acabado base:

Aluminio barnizado blanco (para referencia color ver "Polipropileno blanco PP01")
Aluminio barnizado negro (para referencia color ver "Polipropileno negro PP03")

Acabado asiento:

Madera efecto roble europeo
Madera efecto nogal
Madera efecto roble teñido negro

Acabado revestimiento cojín Lips:

A = COM (tejido Cliente)
B = Field 2

Notas:

PATAS:
Estándar en plástico duro. Bajo pedido se suministran pies con inserto de fieltro para pisos de madera.

Para obtener información sobre las composiciones de los tejidos, ver lado interno de la portada.

Para pedidos COM/COL ver lado interno de la portada.

Consumo cojín Lips: 0,5 ml (H. 140 cm).

APILAR:
- Hasta 4 pza.

Embalajes reforzados, ver lado interno de la portada.

Taburete bajo (altura asiento 66 cm)

Código	Base	Asiento			pack	m ³	Kg
		Roble europeo	Nogal	Roble negro			
05CLN42	Aluminio barnizado				1	0,36	

cada bulto contiene 2 taburetes (Kg. 17) / 1 taburete (Kg. 10,5)

Taburete alto (altura asiento 76 cm)

Código	Base	Asiento and back			pack	m ³	Kg
		Roble europeo	Nogal	Roble negro			
05CLN43	Aluminio barnizado				1	0,44	

cada bulto contiene 2 taburetes (Kg. 17,4) / 1 taburete (Kg. 10,7)

Opcionales

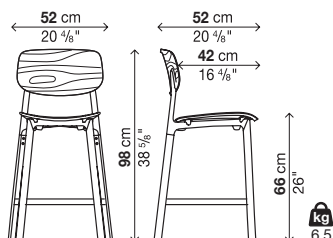
Código	Descripción	Revestimiento											pack	m ³	Kg	
		A	B	C	D	E	F	G	H	L1	L2	L3				
20LIR01	Cojín extraíble LIPS-R (no desenfundable)			-	-	-	-	-	-	-	-	-	-	1	0,01	1
02PIE02	Juego de almohadillas de fieltro													-	-	-

LIPS-R (20LIR01)

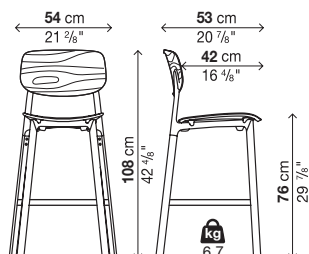


kg
0,6

05CLN42



05CLN43



COLANDER TAPIZADA

Silla

Acabado base:

- Aluminio barnizado blanco (para referencia color ver "Polipropileno blanco PP01")
- Aluminio barnizado negro (para referencia color ver "Polipropileno negro PP03")
- Aluminio barnizado beige (para referencia color ver "Polipropileno beige PP05")
- Aluminio barnizado coral rojo (para referencia color ver "Polipropileno coral rojo PP07")
- Aluminio barnizado gris basalto (para referencia color ver "Polipropileno gris basalto PP10")
- Aluminio barnizado gris claro (para referencia color ver "Polipropileno gris claro PP11")
- Aluminio barnizado amarillo cinc (para referencia color ver "Polipropileno amarillo cinc PP12")
- Aluminio barnizado verde prado (para referencia color ver "Polipropileno verde prado PP13")

Acabado revestimiento:

- A = Valencia (piel sintética)
- B = Field 2, COM (tejido Cliente)
- C = Merit, COL (piel del Cliente)
- D = Clara 2, Patio, Regal, Remix 2
- E = Curmi, Hero, Melange Nap
- F = Canvas 2, Scuba, Steelcut Trio 3
- G = Divina Melange 3, Hallingdal 65
- H = Twill Weave

Notas:

Asiento con revestimiento NO desenfundable.

Para obtener información sobre las composiciones de los tejidos, ver lado interno de la portada.

Para pedidos COM/COL ver lado interno de la portada.

Consumo COM: 0,6 ml (H. 140 cm).
Consumo COL: 0,8 mq.

PATAS:

Estándar en plástico duro. Bajo pedido se suministran pies con inserto de fieltro para pisos de madera.

Asiento NO apilable.

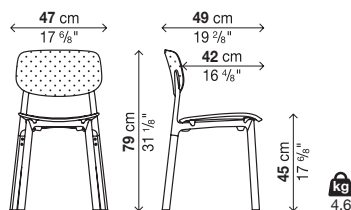
Embalajes reforzados, ver lado interno de la portada.

Código	Base	Revestimiento											pack	m ³	Kg		
		A	B	C	D	E	F	G	H	L1	L2	L3					
05CLN04	Aluminio barnizado												-	-	-	1	0,21

cada paquete contiene 2 sillas (Kg. 12,2) / 1 silla (Kg. 7,6)

Opcionales

Código	Descripción	pack	m ³	Kg
02PIE02	Juego de almohadillas de fieltro	-	-	-



COLANDER TAPIZADA

Taburete

Acabado base:

- Aluminio barnizado blanco (para referencia color ver "Polipropileno blanco PP01")
- Aluminio barnizado negro (para referencia color ver "Polipropileno negro PP03")
- Aluminio barnizado beige (para referencia color ver "Polipropileno beige PP05")
- Aluminio barnizado coral rojo (para referencia color ver "Polipropileno coral rojo PP07")
- Aluminio barnizado gris basalto (para referencia color ver "Polipropileno gris basalto PP10")
- Aluminio barnizado gris claro (para referencia color ver "Polipropileno gris claro PP11")
- Aluminio barnizado amarillo cinc (para referencia color ver "Polipropileno amarillo cinc PP12")
- Aluminio barnizado verde prado (para referencia color ver "Polipropileno verde prado PP13")

Acabado revestimiento:

- A = Valencia (piel sintética)
- B = Field 2, COM (tejido Cliente)
- C = Merit, COL (piel del Cliente)
- D = Clara 2, Patio, Regal, Remix 2
- E = Curmi, Hero, Melange Nap
- F = Canvas 2, Scuba, Steelcut Trio 3
- G = Divina Melange 3, Hallingdal 65
- H = Twill Weave

Notas:

Asiento con revestimiento NO desenfundable.

Para obtener información sobre las composiciones de los tejidos, ver lado interno de la portada.

Para pedidos COM/COL ver lado interno de la portada.

Consumo COM: 0,6 ml (H. 140 cm).
Consumo COL: 0,8 mq.

PATAS:

Estándar en plástico duro. Bajo pedido se suministran pies con inserto de fieltro para pisos de madera.

Asiento NO apilable.

Embalajes reforzados, ver lado interno de la portada.

Taburete bajo (altura asiento 66 cm)

Código	Base	Revestimiento											pack	m ³	Kg		
		A	B	C	D	E	F	G	H	L1	L2	L3					
05CLN13	Aluminio barnizado											-	-	-	1	0,44	9,7

cada paquete contiene 1 taburete

Taburete alto (altura asiento 76 cm)

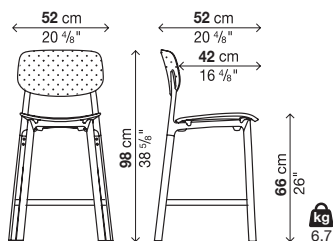
Código	Base	Revestimiento											pack	m ³	Kg		
		A	B	C	D	E	F	G	H	L1	L2	L3					
05CLN14	Aluminio barnizado											-	-	-	1	0,44	10

cada paquete contiene 1 taburete

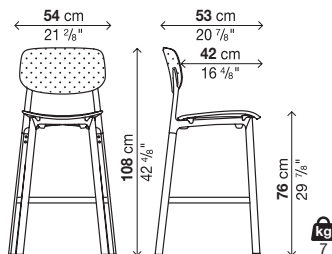
Opcionales

Código	Descripción	pack	m ³	Kg
02PIE02	Juego de almohadillas de fieltro	-	-	-

05CLN13



05CLN14



Choose the language

English

Italiano

Deutsch

Français

Español

Colander Chair

Metal finish:

Aluminium lacquered in same colour as seat

Body finish:

White polypropylene (PP01)
 Black polypropylene (PP03)
 Beige polypropylene (PP05)
 Red coral polypropylene (PP07)
 Grey basalt polypropylene (PP10)
 Light grey polypropylene (PP11)
 Zinc yellow polypropylene (PP12)
 Meadow green polypropylene (PP13)

→ Reinforced packaging, see inside of cover.

→ "Casper" protective cover, see page 74.

→ "Lips" removable cushions, see page 72.

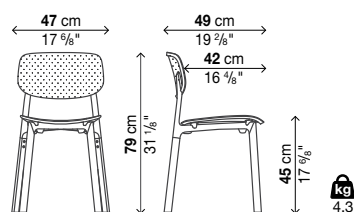
Stackable chair (max 10 | max 12)

Code	Seat	Metal	Price in EURO	Packs	Vol. ³	Kg
05CLN01	polypropylene	colour to match the seat		1	0,35 ³	

ogni collo contiene 4 sedie (Kg. 20,7) / 3 (Kg. 16,4) / 2 (Kg. 12,1) / 1 sedia (Kg. 7,8)

Optionals

Code		Price in EURO	Packs	Vol. ³	Kg
20CAR03	Chair cart (steel with black lacquer)		1	0,12	19



Colander Stool

Metal finish:

Aluminium lacquered in same colour as seat

Body finish:

White polypropylene (PP01)
 Black polypropylene (PP03)
 Beige polypropylene (PP05)
 Red coral polypropylene (PP07)
 Grey basalt polypropylene (PP10)
 Light grey polypropylene (PP11)
 Zinc yellow polypropylene (PP12)
 Meadow green polypropylene (PP13)

→ Reinforced packaging, see inside of cover.

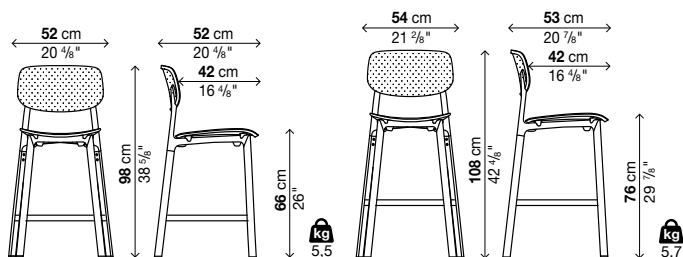
→ "Casper" protective cover, see page 74.

→ "Lips" removable cushions, see page 72.

Stackable stool (max. 6)

Code	Height	Seat	Metal	Price in EURO	Packs	Vol. ³	Kg
05CLN11	66	polypropylene	colour to match the seat		1	0,36	
05CLN12	76	polypropylene	colour to match the seat		1	0,44	

2 stools in each package (H.66 Kg.15 / H.76 Kg.15.4) / 1 stool (H.66 Kg.9.5 / H.76 Kg.9.7)



Colander Sedia

Finitura metallo:

Alluminio verniciato in tinta con la seduta

Finitura scocca:

Polipropilene bianco (PP01)

Polipropilene nero (PP03)

Polipropilene beige (PP05)

Polipropilene rosso corallo (PP07)

Polipropilene grigio basalto (PP10)

Polipropilene grigio chiaro (PP11)

Polipropilene giallo zinco (PP12)

Polipropilene verde prato (PP13)

→ *Imballi rinforzati vedi interno di copertina.*

→ **Copertura protettiva "Casper" vedi pag. 74.**

→ **Cuscini rimovibili "Lips" vedi pag. 72.**

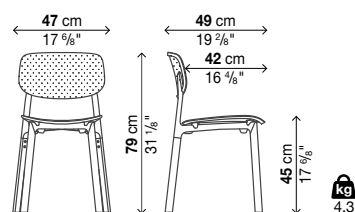
Sedia impilabile (max 10 | max 12)

Codice	Seduta	Metallo	Prezzi EURO	colli	m ³	Kg
05CLN01	polipropilene	in tinta con la seduta		1	0,35	

ogni collo contiene 4 sedie (Kg. 20,7) / 3 (Kg. 16,4) / 2 (Kg. 12,1) / 1 sedia (Kg. 7,8)

Optionals

Codice	Prezzi EURO	colli	m ³	Kg
20CAR03		1	0,12	19



Colander Sgabello

Finitura metallo:

Alluminio verniciato in tinta con la seduta

Finitura scocca:

Polipropilene bianco (PP01)

Polipropilene nero (PP03)

Polipropilene beige (PP05)

Polipropilene rosso corallo (PP07)

Polipropilene grigio basalto (PP10)

Polipropilene grigio chiaro (PP11)

Polipropilene giallo zinco (PP12)

Polipropilene verde prato (PP13)

→ *Imballi rinforzati vedi interno di copertina.*

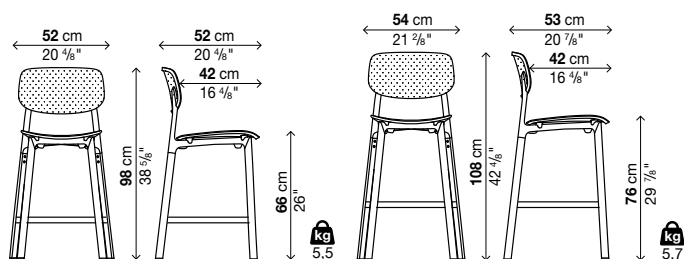
→ **Copertura protettiva "Casper" vedi pag. 74.**

→ **Cuscini rimovibili "Lips" vedi pag. 72.**

Sgabello impilabile (L max 6)

Codice	Altezza	Seduta	Metallo	Prezzi EURO	colli m ³	Kg
05CLN11	66	polipropilene	in tinta con la seduta		1	0,36
05CLN12	76	polipropilene	in tinta con la seduta		1	0,44

ogni collo contiene 2 sgabelli (H.66 Kg.15 / H.76 Kg.15,4) / 1 sgabello (H.66 Kg.9,5 / H.76 Kg.9,7)



Colander Stuhl

Metallausführung:

Lackiertes Aluminium im Farbton der Sitzfläche

Ausführung Aufbau:

Polypropylen Weiß (PP01)
 Polypropylen Schwarz (PP03)
 Polypropylen Beige (PP05)
 Polypropylen Rot Koralle (PP07)
 Polypropylen Basaltgrau (PP10)
 Polypropylen Hellgrau (PP11)
 Polypropylen Zinkgelb (PP12)
 Polypropylen Grasgrün (PP13)

→ Für verstärkte Verpackungen siehe Innenseite des Umschlags.

→ **Schutzhülle "Casper"** siehe Seite 74.

→ **Abnehmbare Kissen "Lips"** siehe Seite 72.

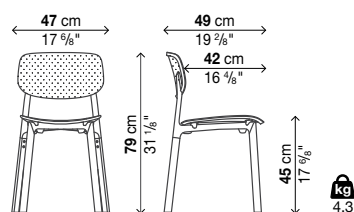
Stapelbarer Stuhl (max 10 | max 12)

Art.-Nr.	Sitzfläche	Metall	Preis in EURO	Koli. V.m ³	Kg
05CLN01	Polypropylen	in tinta con la seduta		1	0,35

ogni collo contiene 4 sedie (Kg. 20,7) / 3 (Kg. 16,4) / 2 (Kg. 12,1) / 1 sedia (Kg. 7,8)

Optionals

Art.-Nr.		Preis in EURO	Koli. V.m ³	Kg
20CAR03	Stuhlkarre (Stahl lackiert in schwarz)		1	0,12: 19



Colander Hocker

Metallausführung:

Lackiertes Aluminium im Farbton der Sitzfläche

Ausführung Aufbau:

Polypropylen Weiß (PP01)
 Polypropylen Schwarz (PP03)
 Polypropylen Beige (PP05)
 Polypropylen Rot Koralle (PP07)
 Polypropylen Basaltgrau (PP10)
 Polypropylen Hellgrau (PP11)
 Polypropylen Zinkgelb (PP12)
 Polypropylen Grasgrün (PP13)

→ Für verstärkte Verpackungen siehe Innenseite des Umschlags.

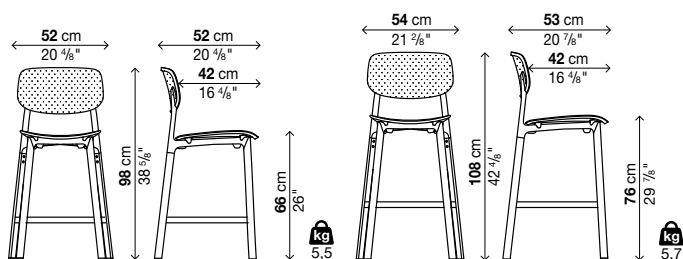
→ **Schutzhülle "Casper"** siehe Seite 74.

→ **Abnehmbare Kissen "Lips"** siehe Seite 72.

Stapelbarer Hocker (L max. 6)

Art.-Nr.	Höhe	Sitzfläche	Metall	Preis in EURO	Kollekt. V.m ³ Kg
05CLN11	66	Polypropylen	im Farbton der Sitzfl.		1 0,36
05CLN12	76	Polypropylen	im Farbton der Sitzfl.		1 0,44

jedes Frachtstück beinhaltet 2 Hocker (H.66 Kg.15 / H.76 Kg.15,4) / 1 Hocker (H.66 Kg.9,5 / H.76 Kg.9,7)



Colander Chaise

Finition du métal:

Aluminium laqué en teinte coordonnée à l'assise

Finition coque:

Polypropylène blanc (PP01)
 Polypropylène noir (PP03)
 Polypropylène beige (PP05)
 Polypropylène corail rouge (PP07)
 Polypropylène gris basalte (PP10)
 Polypropylène gris clair (PP11)
 Polypropylène jaune zinc (PP12)
 Polypropylène vert pré (PP13)

→ Pour emballages renforcés, voir intérieur de la couverture.

→ **Housse de protection "Casper", voir page 74.**

→ **Coussins amovibles "Lips", voir page 72.**

Chaise empilable (max 10 | max 12)

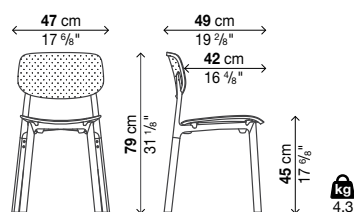
Code	Assise	Métal	Prix en EURO	Colis	m ³	Kg
05CLN01	polypropylène	en teinte à l'assise		1	0,35	

chaque colis 4 chaises (Kg. 20,7) / 3 (Kg. 16,4) / 2 (Kg. 12,1) / 1 chaise (Kg. 7,8)

Optionals

Code	Prix en EURO	Colis	m ³	Kg
20CAR03		1	0,12	19

Chariot pour transport chaises (acier laqué noir)



Colander Tabouret

Finition du métal:

Aluminium laqué en teinte coordonnée à l'assise

Finition coque:

Polypropylène blanc (PP01)
 Polypropylène noir (PP03)
 Polypropylène beige (PP05)
 Polypropylène corail rouge (PP07)
 Polypropylène gris basalte (PP10)
 Polypropylène gris clair (PP11)
 Polypropylène jaune zinc (PP12)
 Polypropylène vert pré (PP13)

→ Pour emballages renforcés, voir intérieur de la couverture.

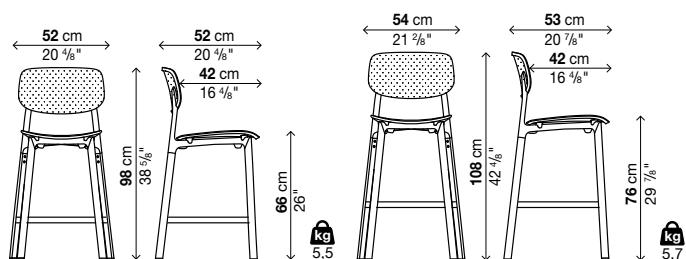
→ **Housse de protection "Casper", voir page 74.**

→ **Coussins amovibles "Lips", voir page 72.**

Tabouret empilable (L max 6)

Code	Hauteur	Assise	Métal	Prix en EURO	Cois. m ²	Kg
05CLN11	66	polypropylène	en teinte à l'assise		1	0,36
05CLN12	76	polypropylène	en teinte à l'assise		1	0,44

chaque colis contient 2 tabourets (H.66 Kg.15 / H.76 Kg.15,4) / 1 tabouret (H.66 Kg.9,5 / H.76 Kg.9,7)



Colander Silla

Acabado metal:

Aluminio barnizado a juego con el asiento

Acabado asiento:

- Polipropileno blanco (PP01)
- Polipropileno negro (PP03)
- Polipropileno beige (PP05)
- Polipropileno coral rojo (PP07)
- Polipropileno gris basalto (PP10)
- Polipropileno gris claro (PP11)
- Polipropileno amarillo cinc (PP12)
- Polipropileno verde prado (PP13)

→ Embalajes reforzados, ver lado interno de la portada.

→ **Funda de protección "Casper" ver pág. 74.**

→ **Cojines extraíbles "Lips" ver pág. 72.**

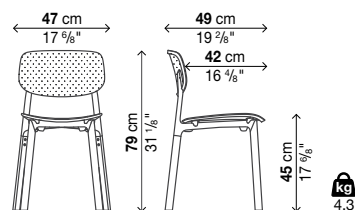
Silla apilable (max 10 | max 12)

Código	Asiento	Metal	Precios EURO	Packs	Vol. m ³	Kg
05CLN01	polipropileno	a juego con el asiento		1	0,35	

cada paquete contiene 4 sillas (Kg. 20,7) / 3 (Kg. 16,4) / 2 (Kg. 12,1) / 1 silla (Kg. 7,8)

Opcionales

Código	Precios EURO	Packs	Vol. m ³	Kg
20CAR03	Carro de transporte sillas (acero barnizado negro)	1	0,12	19



Colander Taburete

Acabado metal:

Aluminio barnizado a juego con el asiento

Acabado asiento:

Polipropileno blanco (PP01)
 Polipropileno negro (PP03)
 Polipropileno beige (PP05)
 Polipropileno coral rojo (PP07)
 Polipropileno gris basalto (PP10)
 Polipropileno gris claro (PP11)
 Polipropileno amarillo cinc (PP12)
 Polipropileno verde prado (PP13)

→ Embalajes reforzados, ver lado interno de la portada.

→ **Funda de protección "Casper"** ver pág. 74.

→ **Cojines extraíbles "Lips"** ver pág. 72.

Taburete apilable (L) máx. 6)

Código	Altura	Asiento	Metal	Precios EURO	Packs vol.m ³	Kg
05CLN11	66	polipropileno	a juego con el asiento		1	0,36
05CLN12	76	polipropileno	a juego con el asiento		1	0,44

cada bulto contiene 2 taburetes (H. 66 15 kg / H.76 15,4 kg) / 1 taburete (H.66 9,5 kg / H.76 9,7 kg)

