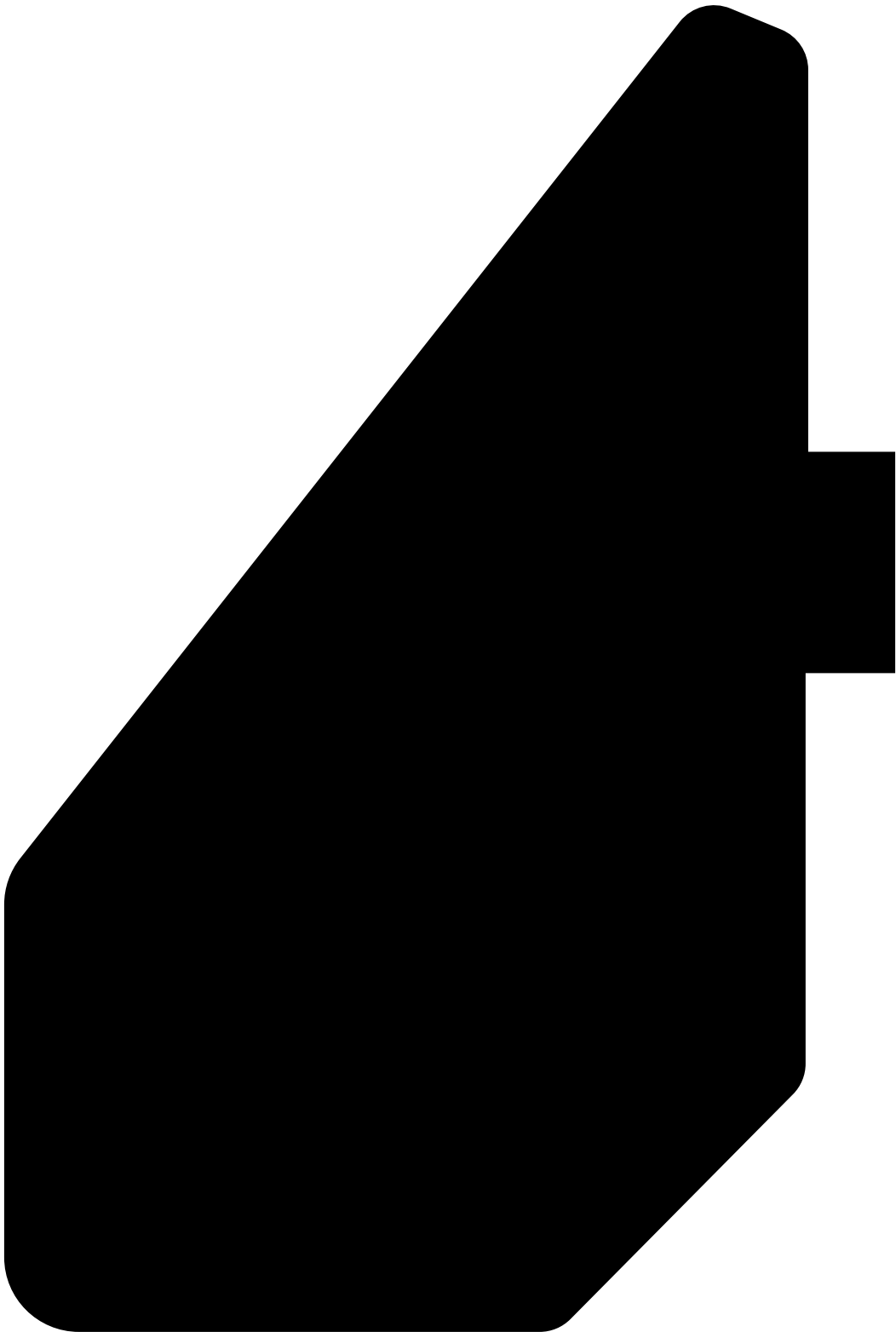


Log Table



Fact Sheet


Log Table

Design by Julien Renault

The Log Table is archetypal, its clean lines and refined silhouette contrived by designer Julien Renault, whose intention was to make a quintessential table for work or play. Its streamlined design cleverly conceals its engineering: a veneer-covered honeycomb core keeps the tabletop light, allowing it to span a great distance. Purposefully robust legs anchor the table and give it stability, and their simple screw connections make assembly straightforward. The ever-so-pleasing curved edge and rounded lines of the legs gently soften the overall effect.

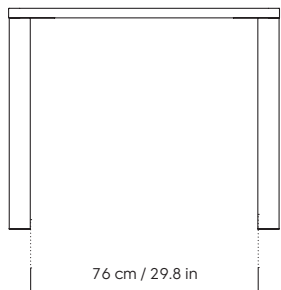


Product name	Finish	SKU
Log Table 140 cm / 55"	Oak	30063
Log Table 180 cm / 71"	Oak	14195
Log Table 220 cm / 86.5"	Oak	14196

<p>Tabletop Material Oak Veneer Quercus Robur Lacquered</p> <p>Leg Material Solid Oak Quercus Robur Lacquered</p> <p>Wood is a natural material why the color may vary slightly from piece to piece</p> <p>Country of origin Poland</p> <p>Tests & certifications EN 15372:2016 – L2: General use – Furniture – Strength, durability and safety – Requirements for non-domestic tables</p> <p>3D model 3D files of all products are available on the product pages on hem.com</p>	<p>Always in stock We keep all our products in stock and ready to ship from our warehouses in the US and EU</p> <div style="text-align: center;">  <p>Oak Oak Veneer / Solid Oak</p> </div> <p>Samples We supply samples of all our material finishes, order them directly from hem.com/samples</p>
Log Table	
Front view	7 cm / 2.8 in
3 cm / 1.2 in	73 cm / 28.7 in
Log Table sizes	
Top view	<div style="display: flex; justify-content: space-around; align-items: center;"> <div style="border: 1px solid black; padding: 5px;">140 cm / 55.0 in</div> <div style="border: 1px solid black; padding: 5px;">180 cm / 70.8 in</div> <div style="border: 1px solid black; padding: 5px;">220 cm / 86.6 in</div> </div> <div style="text-align: right; margin-top: 10px;">90 cm / 35.4 in</div>

Log Table

Side view



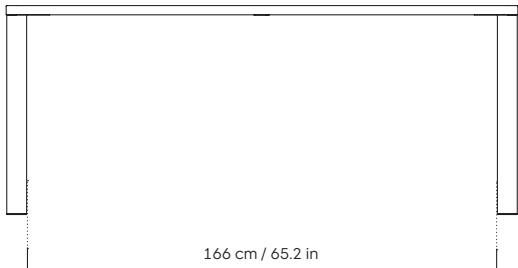
Log Table 140 cm / 55"

Front view



Log Table 180 cm / 71"

Front view



Log Table 220 cm / 86.5"

Front view



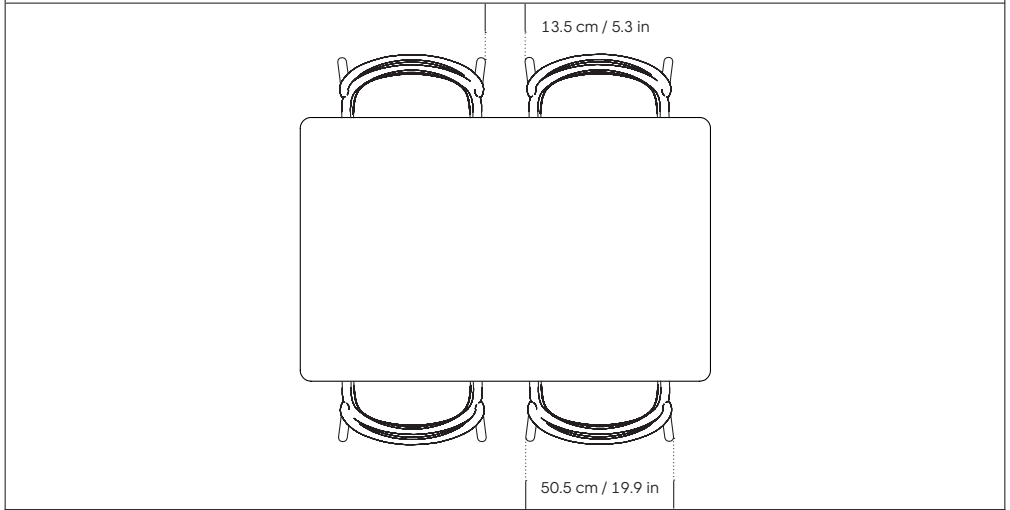
Chairs per table

The Log Table 140 cm / 55" fits up to 4 chairs.
We are using the Udon Chair as a reference.

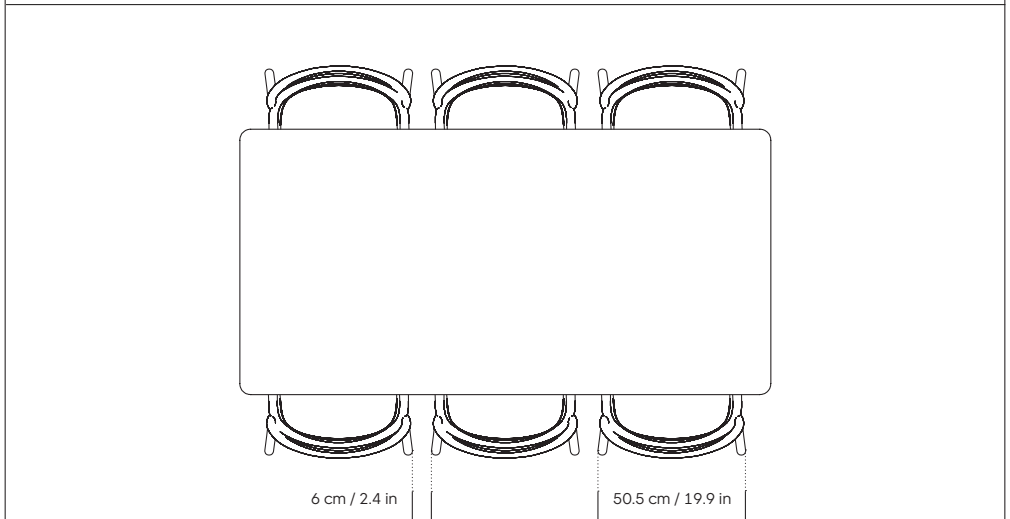
The Log Table 180 cm / 71" fits up to 6 chairs.
We are using the Udon Chair as a reference.

The Log Table 220 cm / 86.5" fits up to 6 chairs.
We are using the Udon Chair as a reference.

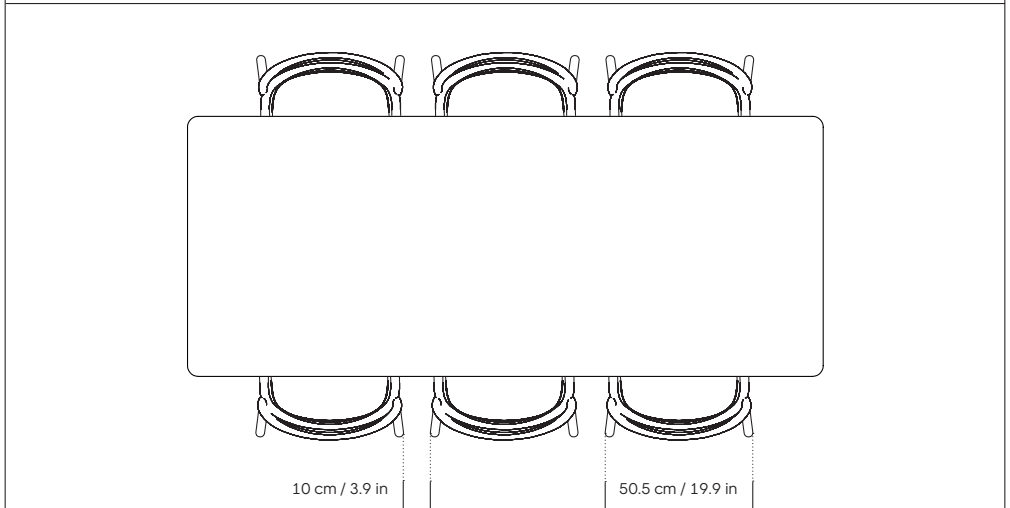
Log Table 140 cm / 55"



Log Table 180 cm / 71"



Log Table 220 cm / 86.5"



With proper care, the high quality of Hem furniture can be maintained for years to come. If you want to learn more or have any questions about our care & maintenance recommendations, please write to info@hem.com.

Hem