

Note

Mobile whiteboard

Design: Lauri Visnapuu



5 YEAR
GUARANTEE



FIRE
RESISTANT
FABRICS



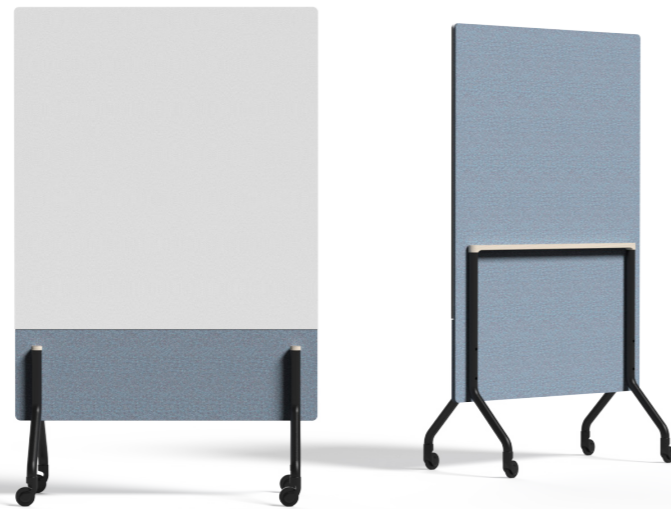
GOOD SOUND-
ABSORBING
QUALITIES

*It's a whiteboard, but it
will never stay white.*

Make room for big ideas

Use our convenient mobile whiteboard to utilise every brainstorming opportunity. Equipped with 360-degree wheels, you can take the whiteboard wherever fresh ideas are born.

The back of the whiteboard is optionally covered with cutting-edge acoustic felt. Given its sound-absorbing qualities and notable height, the board can be transformed into a privacy screen, showcasing our love for multifunctional furniture.



Product information

Whiteboard

Polyvision ceramic steel

Panel

MDF, upholstered with cotton batting and covered with acoustic felt on request

Legs

Powder coated steel tube; 360° rotating and lockable wheels

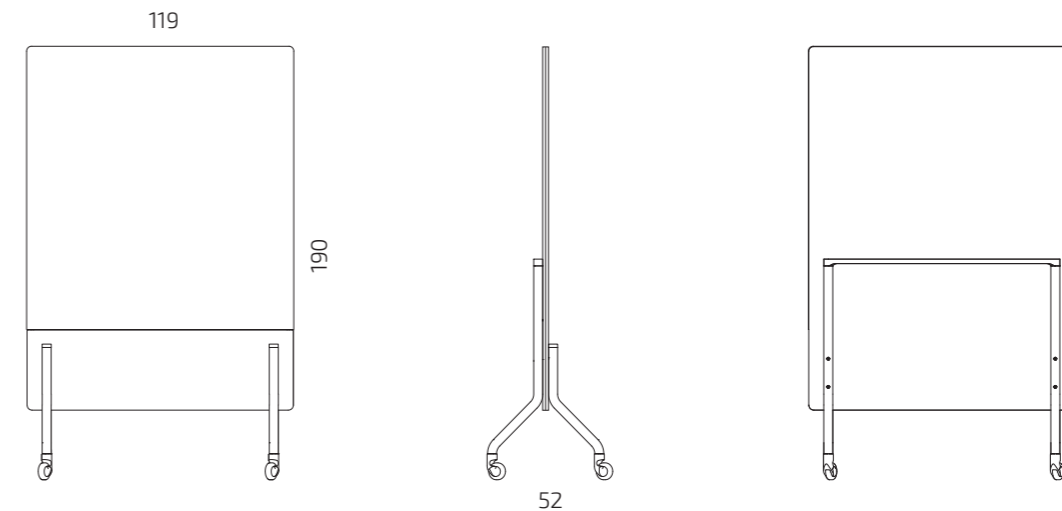
Marker holder

Varnished solid oak

Standard Fabric Collection

Dimensions

Whiteboard



S124-MWH190

All dimensions provided in centimetres.



Collaboration Zone

Designed for the Collaboration Zone:

- Wheel the board around for creative collaboration
- Save space with foldable screens
- Minimize workplace noise
- Divide your office on the go